

# MW03S-FIN

## WALL MIXER FINISH KIT

# meir®

**MATTE BLACK**  
MW03S-FIN

**CHROME**  
MW03S-FIN-C

**CHAMPAGNE**  
MW03S-FIN-CH

**TIGER BRONZE**  
MW03S-FIN-BB

**BRUSHED NICKEL**  
MW03S-FIN-PVDBN

**AVAILABLE FINISHES**



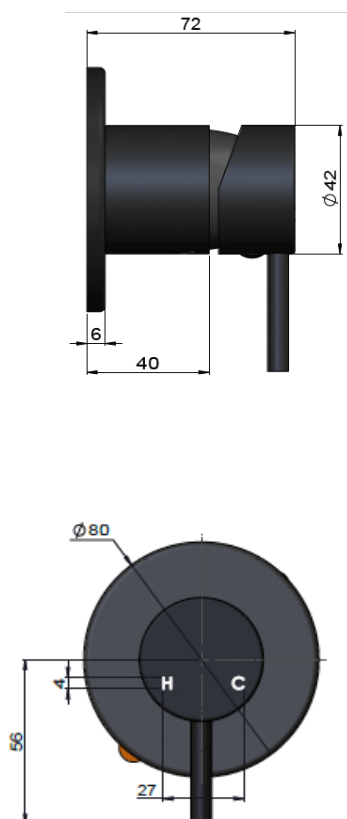
### FEATURES

- 10 Year warranty
- Flow rate 18L p/m
- European components and cartridge
- Reinforced rubber seal and lining
- Solid brass construction
- Box Weight 1 Kg

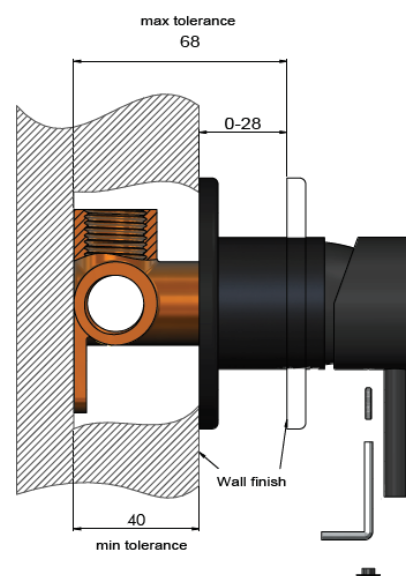
### CARE

- Do not install tapware using any form of acetone silicones.
- Do not apply physical items (such as tools) directly to product.
- Never use house-hold or commercial detergents, citrus based cleaners, or abrasive cleaners.
- Clean using a mild washing soap solution rinsed, and dry with a soft cloth.
- Check for any product defects before installation.
- Refer to the installation manual for correct installation.

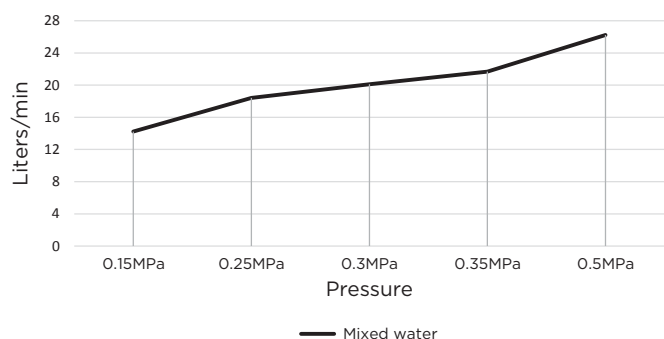
### SPECIFICATIONS



### TOLERANCES



### FLOW RATE GRAPH



### CREDENTIALS

- Watermark AS/NZS 3718WMKA25013

### EXPLODED VIEW

