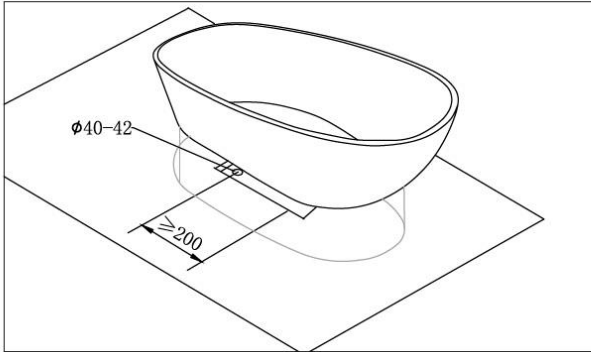


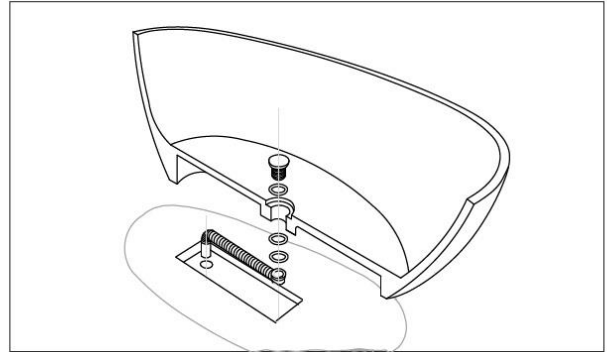
## Freestanding Bathtub Installation Guide

---

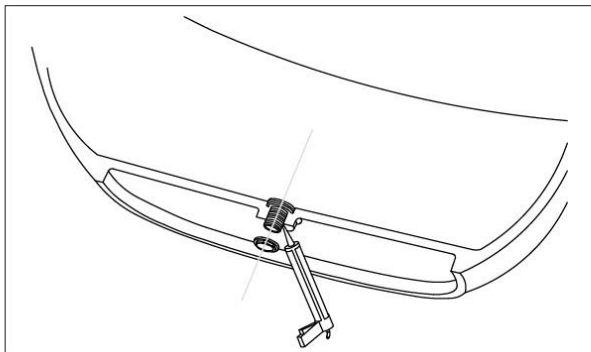
1.Designation of drain location.



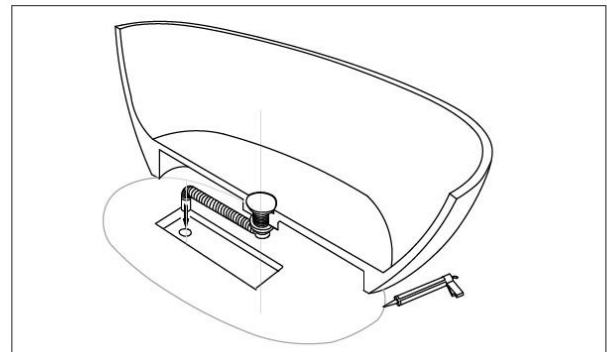
2.Install the drain and plumbing pipe and fixing of pop-up part



3.Align the drain to the expansion joint,apply silicone to between of them.



4.Locate bathtub to the fixing place



### 05. Connect and Finishing

Fill the water in the bathtub and let it drain out.From the bottom, make sure that all the joints are watertight. Do a silicone joint pressure seal between the base of the bathtub and the floor.