

# MB03XSCLD

## Basin Cold Water Tap

meir®

MATTE BLACK  
MB03XSCLD

CHROME  
MB03XSCLD  
-C

CHAMPAGNE  
MBO3XSCLD  
-CH

TIGER  
BRONZE  
MBO3XSCLD  
-BB

AVAILABLE  
FINISH



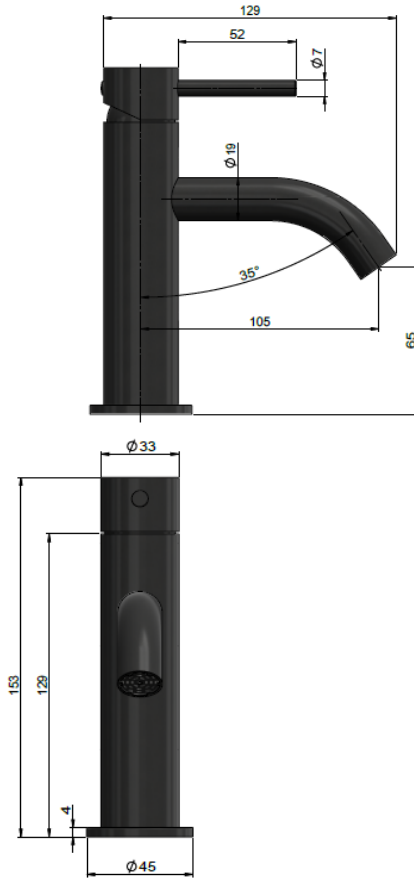
### FEATURES

- 10 Year warranty
- Flow rate 5L p/m
- European components and cartridge
- Solid brass construction
- Box Weight 1.5 Kg

### CARE

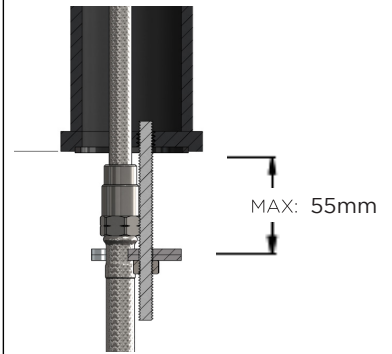
- Do not install tapware using any form of acetone silicones.
- Do not apply physical items (such as tools) directly to product.
- Never use house-hold or commercial detergents, citrus based cleaners, or abrasive cleaners.
- Clean using a mild washing soap solution rinsed, and dry with a soft cloth.
- Check for any product defects before installation.
- Refer to the installation manual for correct installation.

### SPECIFICATIONS

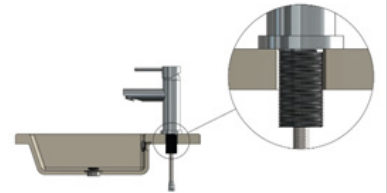


### TOLERANCES

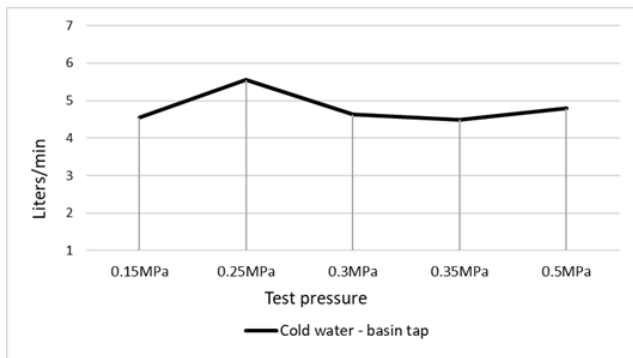
Mounting Surface Tolerance



Hole Diameter  
MIN: 30mm MAX: 35mm



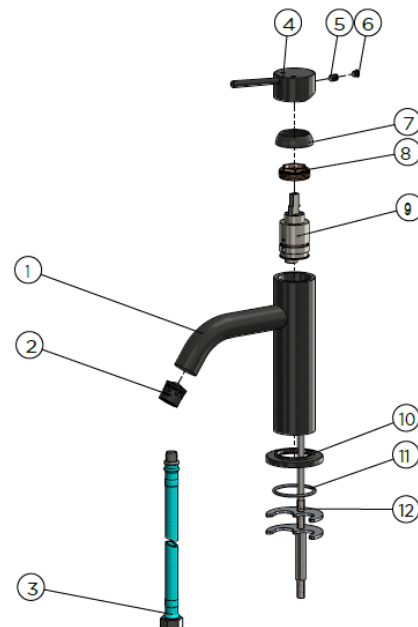
### FLOW RATE GRAPH



### CREDENTIALS

- Watermark AS/NZS3718WMKA25013

### EXPLODED VIEW



No.	Part Name
1	Body
2	Aerator
3	Inlet Hose
4	Handle
5	Screw
6	Decorate Button
7	Decorate Cover
8	Nut
9	D25 Cartridge
10	Base
11	O-ring
12	Mounting Fittings