

MB06

FREE STANDING BATH SPOUT



meir®

MATTE BLACK
MB06

CHROME
MB06-C

CHAMPAGNE
MB06-CH

TIGER
BRONZE
MB06-BB

BRUSHED
NICKEL
MB06-PVDBN

AVAILABLE
FINISHES

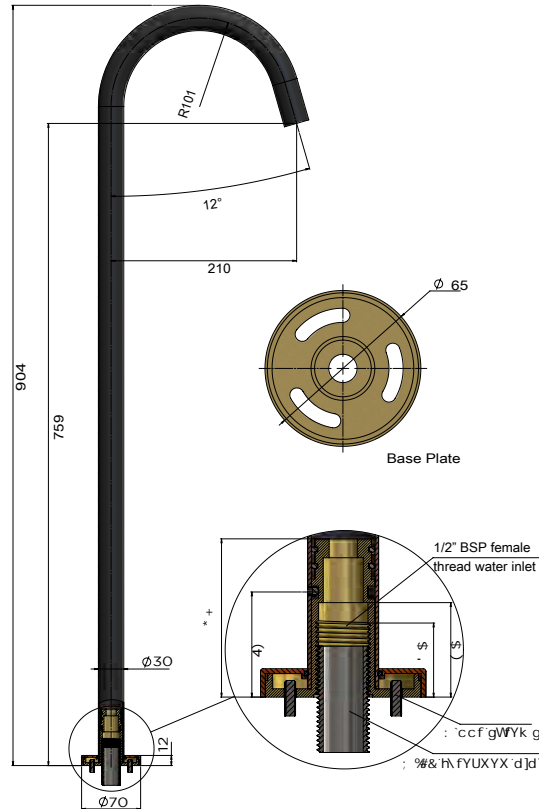
FEATURES

- 10 Year warranty
- Flow rate 22 L p/m
- European components and cartridge
- Solid brass construction
- Box Weight 1.9 Kg

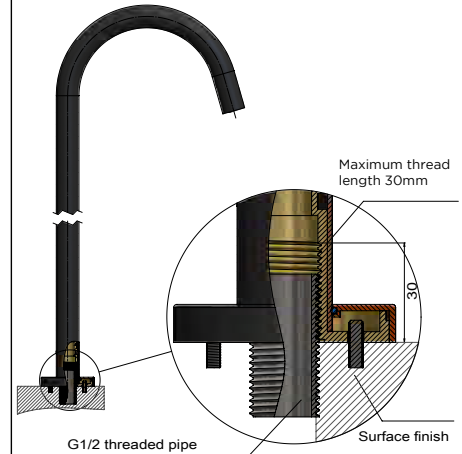
CARE

- Do not install tapware using any form of acetone silicones.
- Do not apply physical items (such as tools) directly to product.
- Never use house-hold or commercial detergents, citrus based cleaners, or abrasive cleaners.
- Clean using a mild washing soap solution rinsed, and dry with a soft cloth.
- Check for any product defects before installation.
- Refer to the installation manual for correct installation.

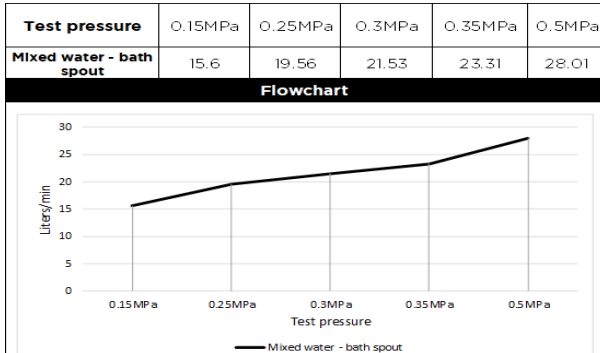
SPECIFICATIONS



TOLERANCES



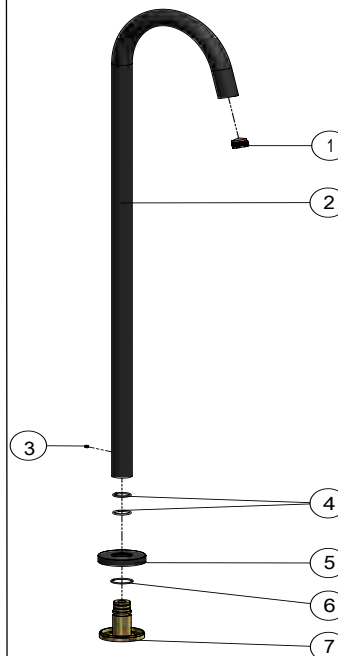
FLOW RATE GRAPH



CREDENTIALS

- Watermark AS/NZS3718WMKA25013

EXPLODED VIEW



No.	Part Name	Qty
1	Aerator	1
2	Spout	1
3	Screw	1
4	O-ring	2
5	Back Plate	1
6	O-ring	1
7	Base Plate	1

MW03S-FIN

WALL MIXER FINISH KIT

meir®

MATTE BLACK
MW03S-FIN

CHROME
MW03S-FIN-C

CHAMPAGNE
MW03S-FIN-CH

TIGER BRONZE
MW03S-FIN-BB

BRUSHED NICKEL
MW03S-FIN-PVDBN

AVAILABLE FINISHES



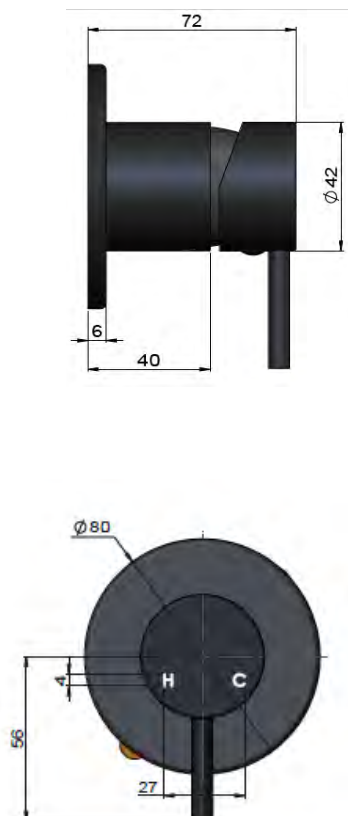
FEATURES

- 10 Year warranty
- Flow rate 18L p/m
- European components and cartridge
- Reinforced rubber seal and lining
- Solid brass construction
- Box Weight 1 Kg

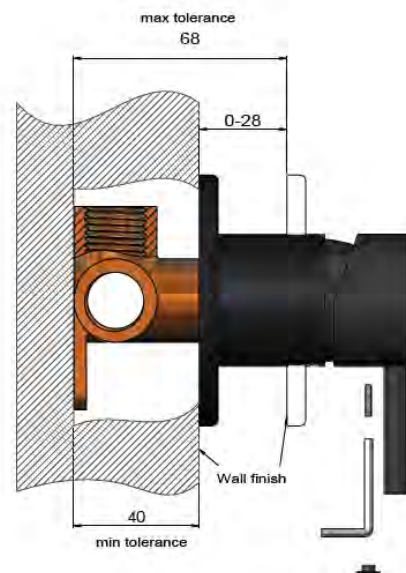
CARE

- Do not install tapware using any form of acetone silicones.
- Do not apply physical items (such as tools) directly to product.
- Never use house-hold or commercial detergents, citrus based cleaners, or abrasive cleaners.
- Clean using a mild washing soap solution rinsed, and dry with a soft cloth.
- Check for any product defects before installation.
- Refer to the installation manual for correct installation.

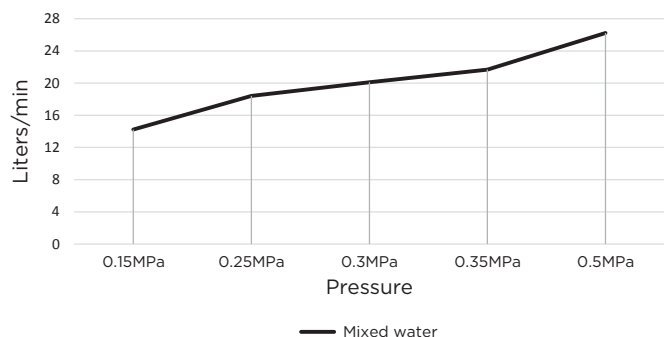
SPECIFICATIONS



TOLERANCES



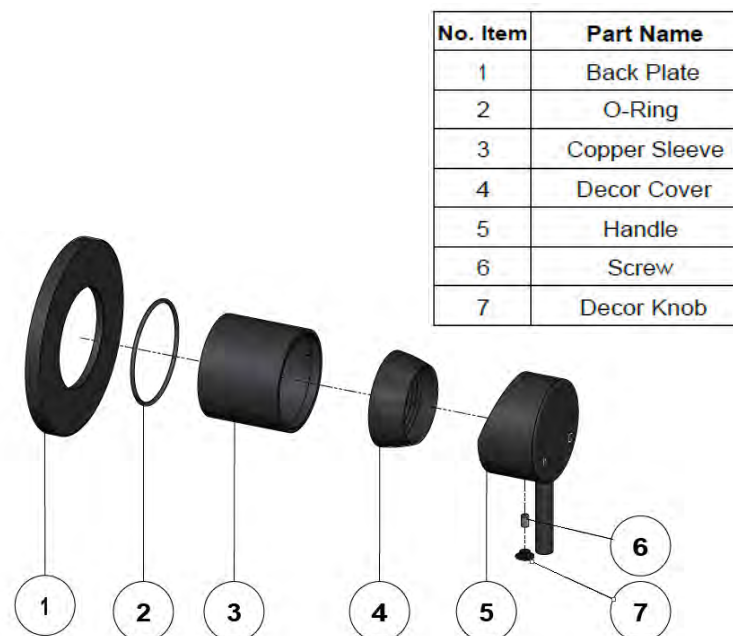
FLOW RATE GRAPH



CREDENTIALS

- Watermark AS/NZS 3718WMKA25013

EXPLODED VIEW



MW03-FIN

WALL MIXER FINISH KIT

meir®

MATTE BLACK
MW03-FIN

CHROME
MW03-FIN-C

CHAMPAGNE
MW03-FIN-CH

**TIGER
BRONZE**
MW03-FIN
-BB

**BRUSHED
NICKEL**
MW03-FIN
-PVDBN

**AVAILABLE
FINISHES**



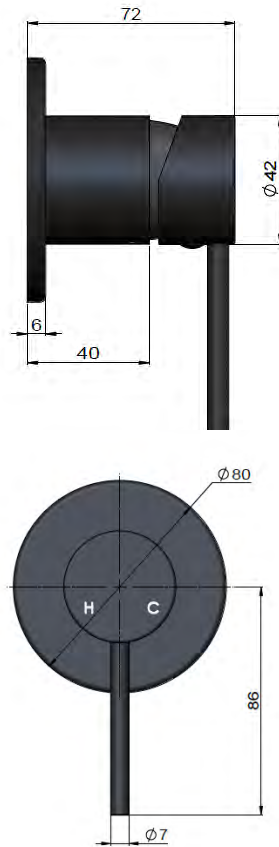
FEATURES

- 10 Year warranty
- Flow rate 18L p/m
- European components and cartridge
- Reinforced rubber seal and lining
- Solid brass construction
- Box Weight 1 Kg

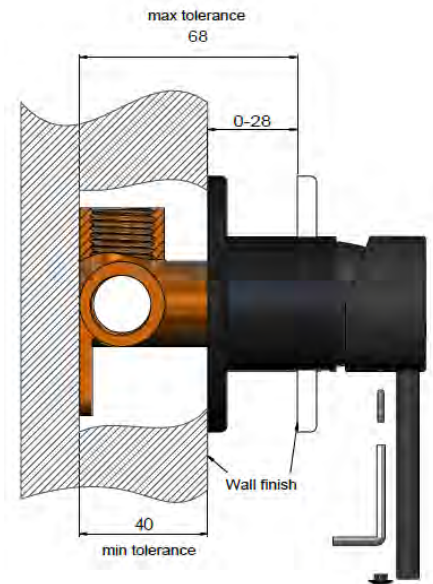
CARE

- Do not install tapware using any form of acetone silicones.
- Do not apply physical items (such as tools) directly to product.
- Never use house-hold or commercial detergents, citrus based cleaners, or abrasive cleaners.
- Clean using a mild washing soap solution rinsed, and dry with a soft cloth.
- Check for any product defects before installation.
- Refer to the installation manual for correct installation.

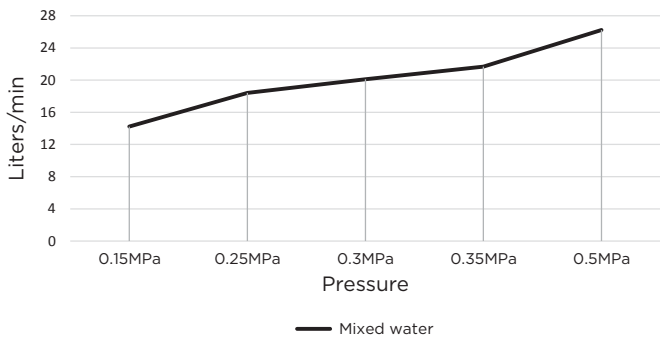
SPECIFICATIONS



TOLERANCES



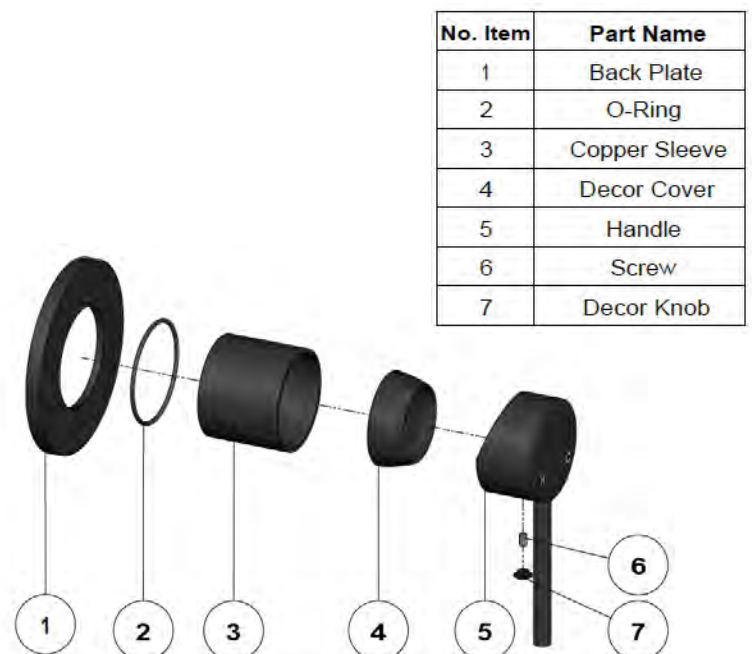
FLOW RATE GRAPH



CREDENTIALS

- Watermark AS/NZS 3718WMKA25013

EXPLODED VIEW



MW13BDY

WALL MIXER CONCEALED BODY



meir®

BRASS
MW13BDY

AVAILABLE
FINISHES

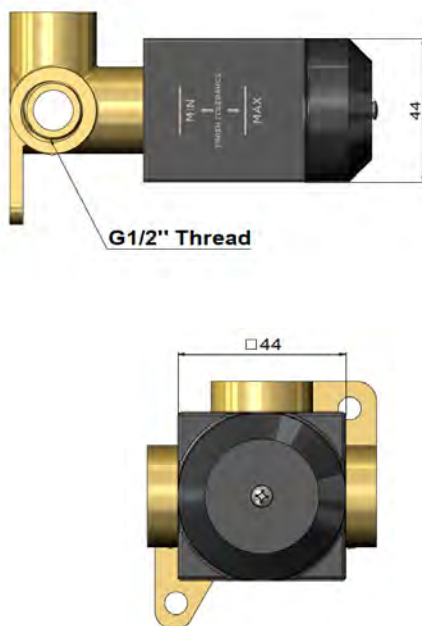
FEATURES

- 10 Year warranty
- Flow rate 18L p/m
- European components and cartridge
- Reinforced rubber seal and lining
- Solid brass construction

CARE

- Do not install tapware using any form of acetone silicones.
- Do not apply physical items (such as tools) directly to product.
- Never use house-hold or commercial detergents, citrus based cleaners, or abrasive cleaners.
- Clean using a mild washing soap solution rinsed, and dry with a soft cloth.
- Check for any product defects before installation.
- Refer to the installation manual for correct installation.

SPECIFICATIONS

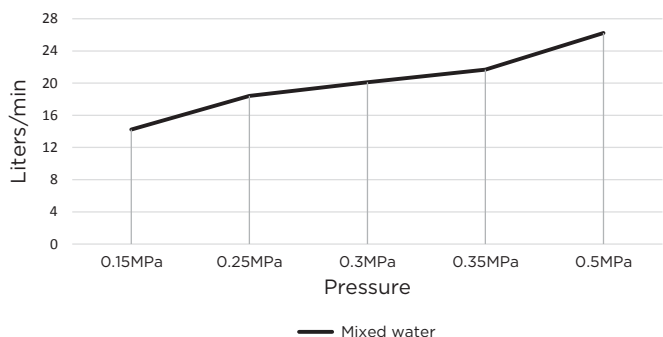


TOLERANCES



WALL FINISH TOLERANCE

FLOW RATE GRAPH



CREDENTIALS

- Watermark AS/NZS 3718WMKA25013

EXPLODED VIEW

