

# MB06

## FREE STANDING BATH SPOUT



# meir®

MATTE BLACK  
MB06

CHROME  
MB06-C

CHAMPAGNE  
MB06-CH

TIGER  
BRONZE  
MB06-BB

BRUSHED  
NICKEL  
MB06-PVDBN

AVAILABLE  
FINISHES

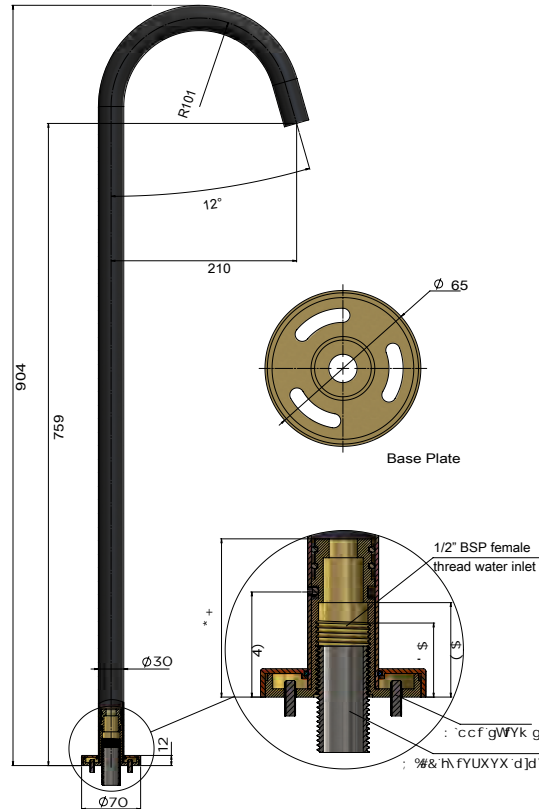
### FEATURES

- 10 Year warranty
- Flow rate 22 L p/m
- European components and cartridge
- Solid brass construction
- Box Weight 1.9 Kg

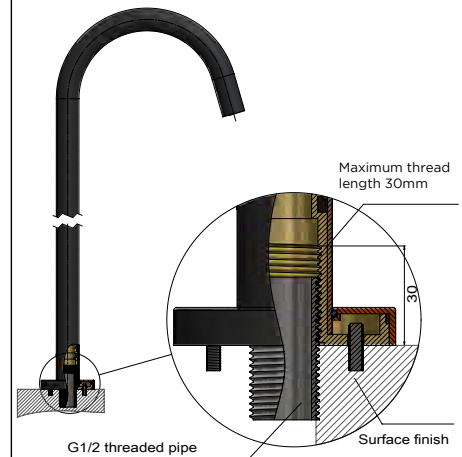
### CARE

- Do not install tapware using any form of acetone solvents.
- Do not apply physical items (such as tools) directly to product.
- Never use house-hold or commercial detergents, citrus based cleaners, or abrasive cleaners.
- Clean using a mild washing soap solution rinsed, and dry with a soft cloth.
- Check for any product defects before installation.
- Refer to the installation manual for correct installation.

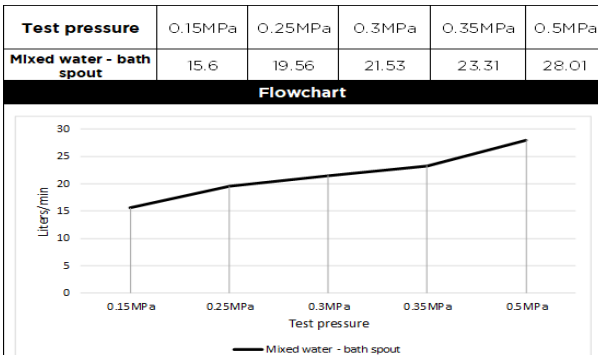
### SPECIFICATIONS



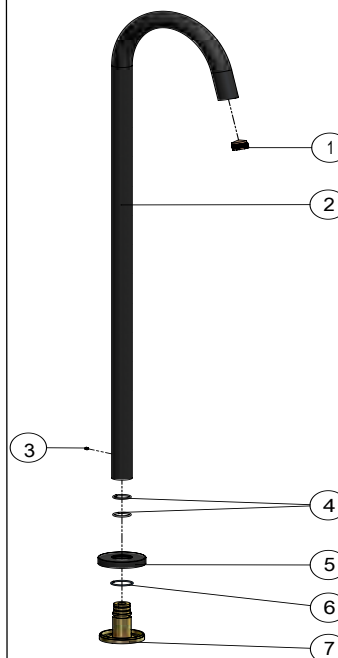
### TOLERANCES



### FLOW RATE GRAPH



### EXPLODED VIEW



No.	Part Name	Qty
1	Aerator	1
2	Spout	1
3	Screw	1
4	O-ring	2
5	Back Plate	1
6	O-ring	1
7	Base Plate	1

### CREDENTIALS

- Watermark AS/NZS3718WMKA25013

# MW07-FIN

## WALL MIXER DIVERTER FINISH KIT

# meir®

**MATTE BLACK**  
MW07-FIN

**CHROME**  
MW07-FIN-C

**CHAMPAGNE**  
MW07-FIN-CH

**TIGER  
BRONZE**  
MW07-FIN  
-BB

**BRUSHED  
NICKEL**  
MW07-FIN  
-PVDBN

**AVAILABLE  
FINISHES**



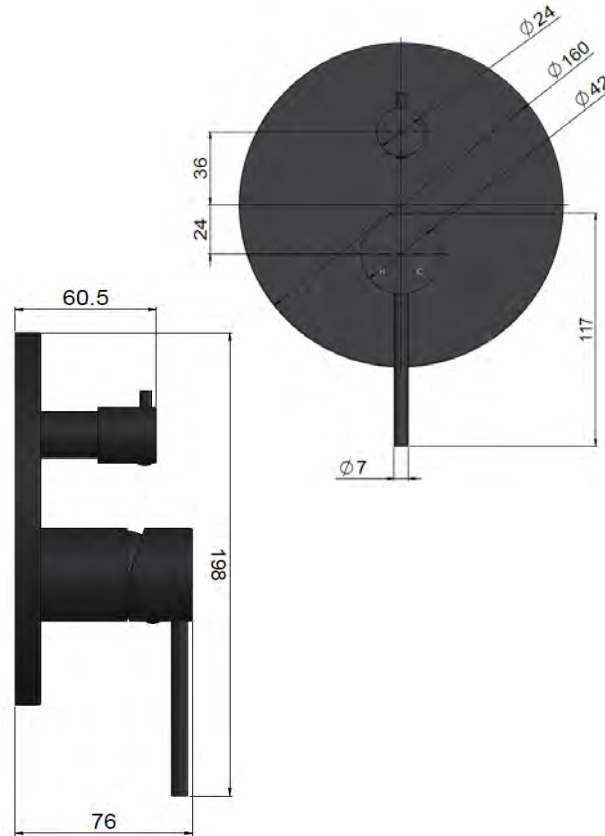
### FEATURES

- 10 Year warranty
- Flow rate 18L p/m
- European components and cartridge
- Reinforced rubber seal and lining
- Solid brass construction

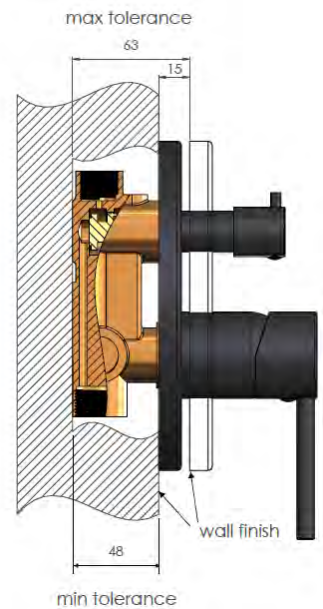
### CARE

- Do not install tapware using any form of acetone silicones.
- Do not apply physical items (such as tools) directly to product.
- Never use house-hold or commercial detergents, citrus based cleaners, or abrasive cleaners.
- Clean using a mild washing soap solution rinsed, and dry with a soft cloth.
- Check for any product defects before installation.
- Refer to the installation manual for correct installation.

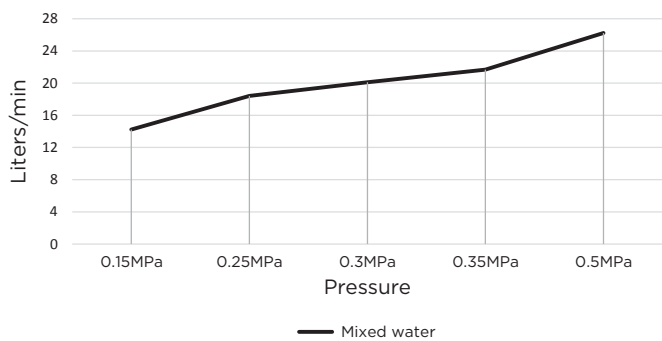
### SPECIFICATIONS



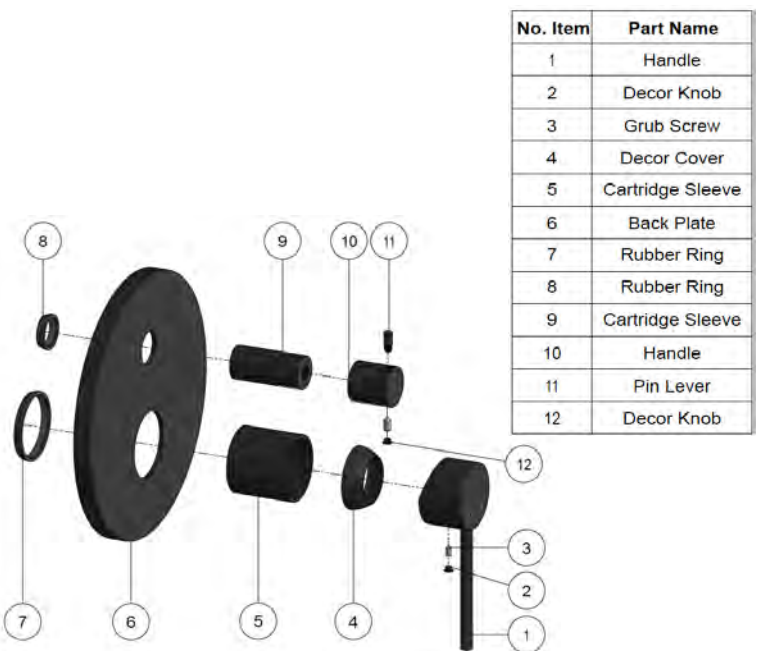
### TOLERANCES



### FLOW RATE GRAPH



### EXPLODED VIEW



### CREDENTIALS

- Watermark AS/NZS 3718WMKA25013

# MW27BDY

## WALL DIVERTER CONCEALED PART

# meir®

BRASS  
MW27BDY

AVAILABLE  
FINISHES



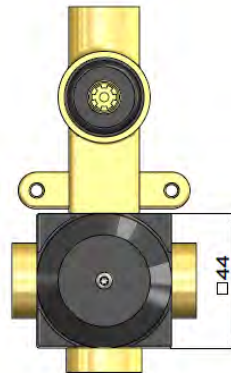
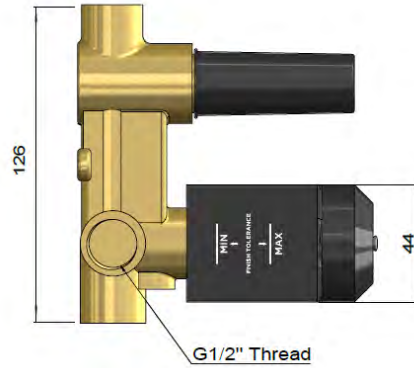
### FEATURES

- 10 Year warranty
- Flow rate 18L p/m
- European components and cartridge
- Reinforced rubber seal and lining
- Solid brass construction

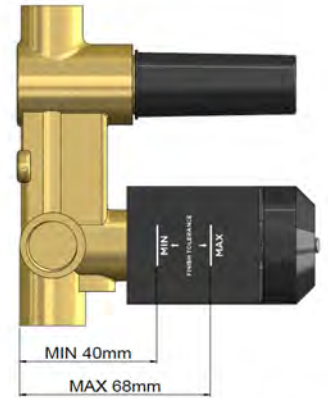
### CARE

- Do not install tapware using any form of acetone silicones.
- Do not apply physical items (such as tools) directly to product.
- Never use house-hold or commercial detergents, citrus based cleaners, or abrasive cleaners.
- Clean using a mild washing soap solution rinsed, and dry with a soft cloth.
- Check for any product defects before installation.
- Refer to the installation manual for correct installation.

### SPECIFICATIONS

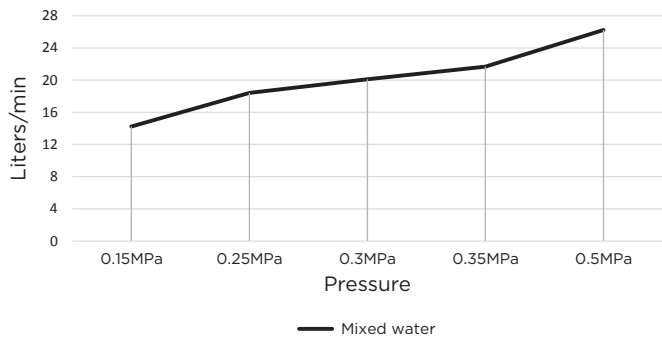


### TOLERANCES



WALL FINISH TOLERANCE

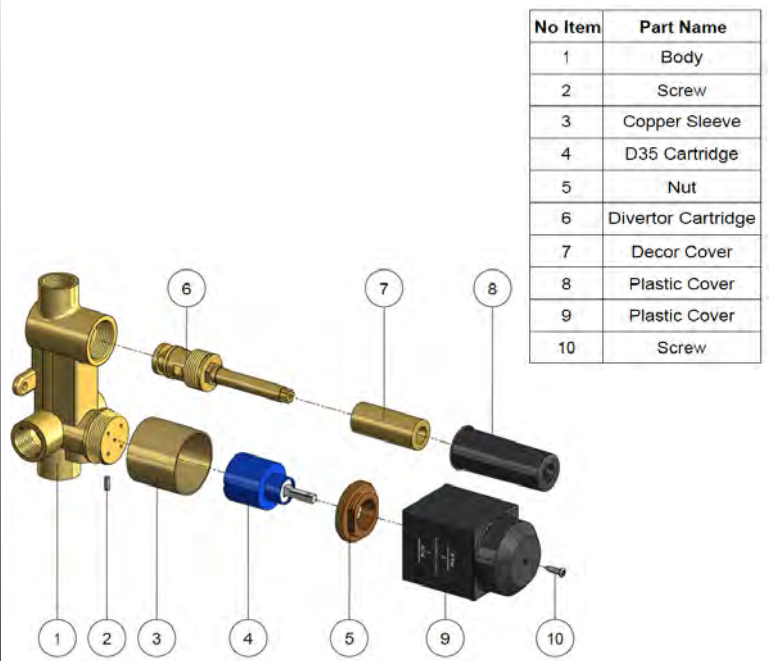
### FLOW RATE GRAPH



### CREDENTIALS

- Watermark AS/NZS 3718WMKA25013

### EXPLODED VIEW



# MZ06-R HAND SHOWER



# meir®

**MATTE BLACK**  
MZ06-R

**CHROME**  
MZ06-R-C

**CHAMPAGNE**  
MZ06-R-CH

**TIGER  
BRONZE**  
MZ06-R-BB

**BRUSHED  
NICKEL**  
MZ06-R-  
-PVDBN

**AVAILABLE  
FINISHES**

## FEATURES

- 10 Year warranty
- Flow rate **6 L p/m**
- Solid brass construction
- Box Weight **1.06 kg**
- 68mm long 1/2" threaded adapter included

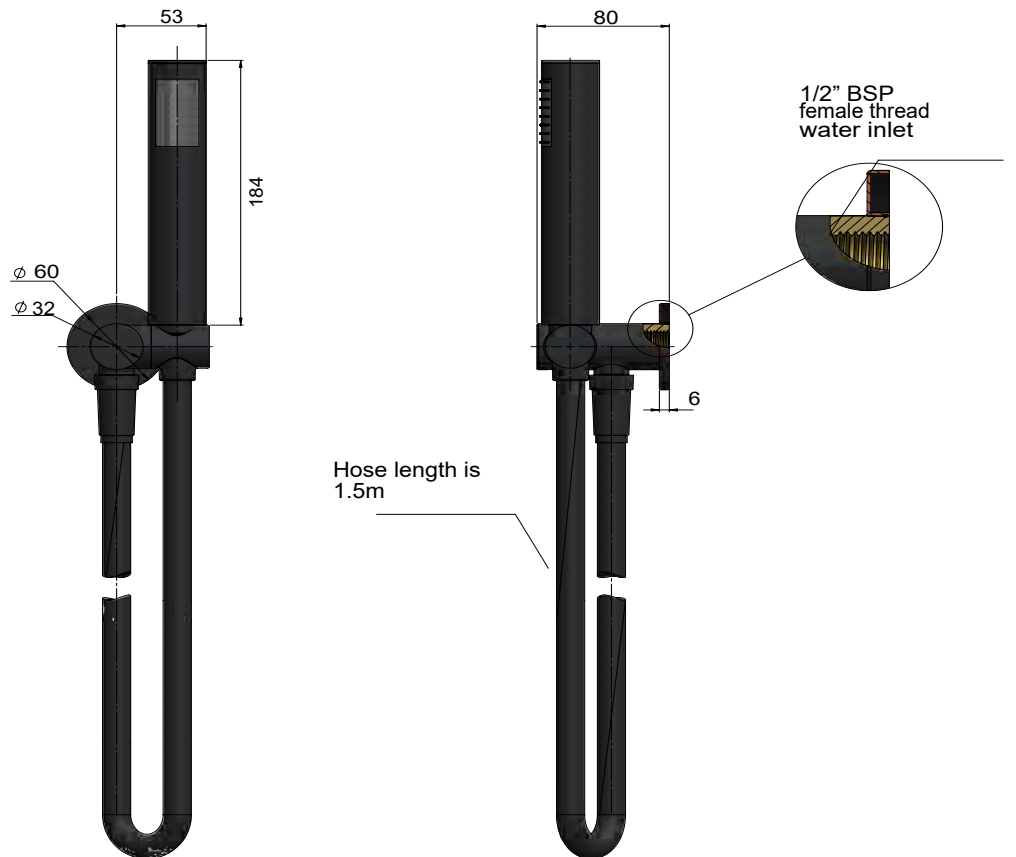
## CARE

- Do not install tapware using any form of acetone silicones.
- Do not apply physical items (such as tools) directly to product.
- Never use house-hold or commercial detergents, citrus based cleaners, or abrasive cleaners.
- Clean using a mild washing soap solution rinsed, and dry with a soft cloth.
- Check for any product defects before installation.
- Refer to the installation manual for correct installation.

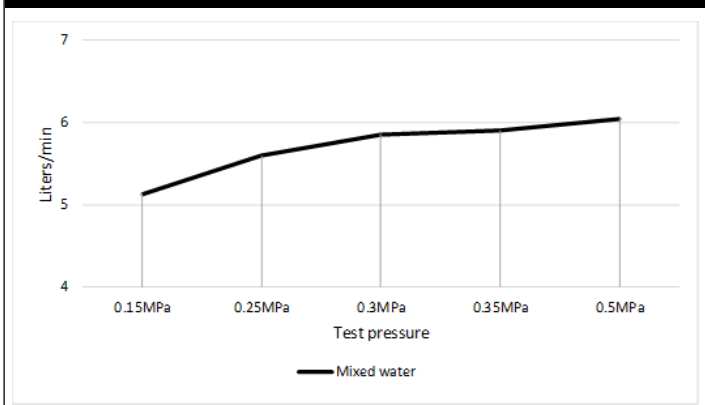
## CREDENTIALS

- Watermark AS/NZS3718WMKA25013
- Wels Rated 3 Star

## SPECIFICATIONS

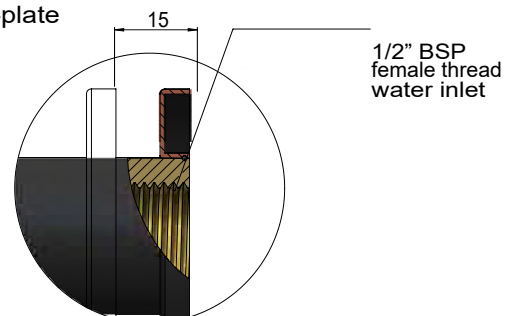


## FLOW RATE GRAPH



## TOLERANCES

Max back-plate tolerance

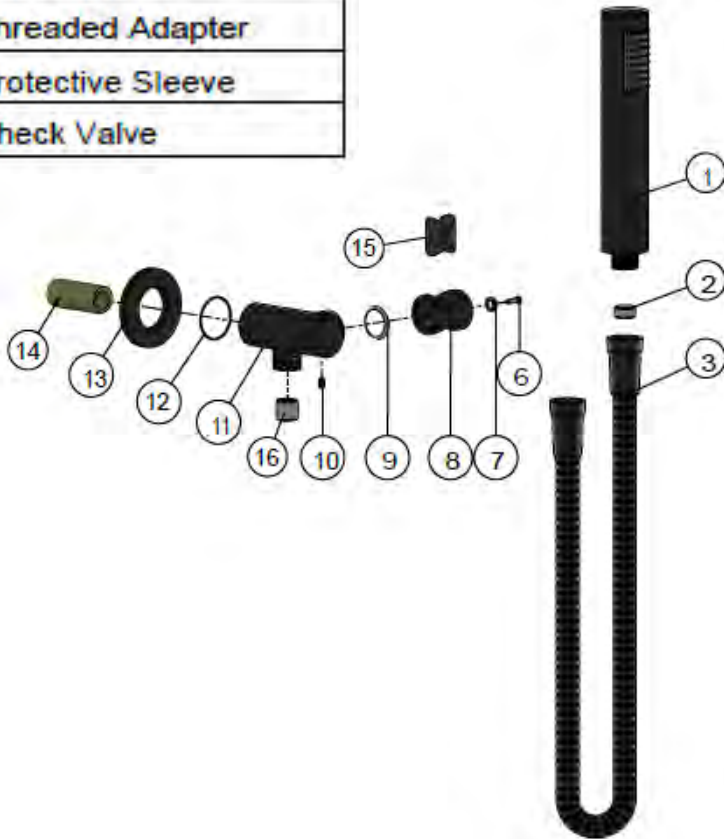


# MZ06-R HAND SHOWER

# meir®

## EXPLODED VIEW

NO.	Part Number
1	Handle Shower
2	Water Flow Controller
3	Shower Hose
6	Screw
7	Wear Ring
8	Bracket
9	Wear Ring
10	Screw
11	Bracket Base
12	O-Ring
13	Back Plate
14	Threaded Adapter
15	Protective Sleeve
16	Check Valve



NOTE: The hose end caps of parts (3,6) are made from a special hardened plastic to prevent the brass mount (8) from scratching.