

# MA02-400 WALL SHOWER ARM



# meir®

MATTE BLACK  
MA02-400

CHROME  
MA02-400-C

CHAMPAGNE  
MA02-400  
-CH

TIGER  
BRONZE  
MA02-400  
-PVDBB

BRUSHED  
NICKEL  
MA02-400  
-PVDBN

AVAILABLE  
FINISHES

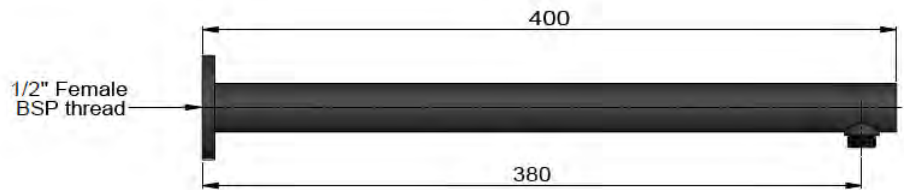
## FEATURES

- 10 Year warranty
- Solid brass construction
- Box Weight **0.7kg**
- 68mm long 1/2" threaded adapter included

## CARE

- Do not install tapware using any form of acetone silicones.
- Do not apply physical items (such as tools) directly to product.
- Never use house-hold or commercial detergents, citrus based cleaners, or abrasive cleaners.
- Clean using a mild washing soap solution rinsed, and dry with a soft cloth.
- Check for any product defects before installation.
- Refer to the installation manual for correct installation.

## SPECIFICATIONS



## EXPLODED VIEW



| Item | Description |
|------|-------------|
| 1    | Back plate  |
| 2    | O-ring      |
| 3    | Shower arm  |
| 4    | Flat washer |
| 5    | Connector   |

# MH04 SHOWER ROSE

# meir®

**MATTE BLACK**  
MH04

**CHROME**  
MH04-C

**CHAMPAGNE**  
MH04-CH

**TIGER  
BRONZE**  
MH04-BB

**BRUSHED  
NICKEL**  
MH04-PVDBN

**AVAILABLE  
FINISHES**



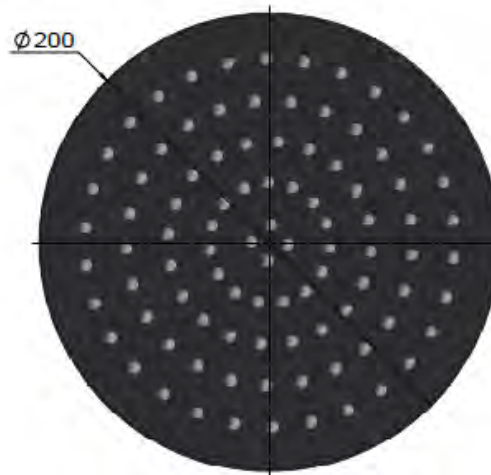
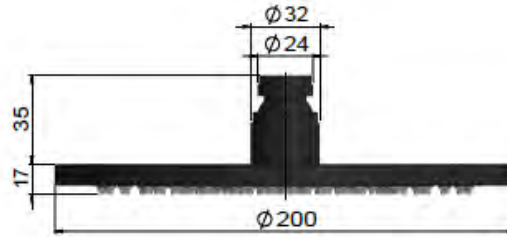
## FEATURES

- 10 Year warranty
- Flow rate 9L p/m
- Solid brass construction
- Box Weight 1.1 Kg

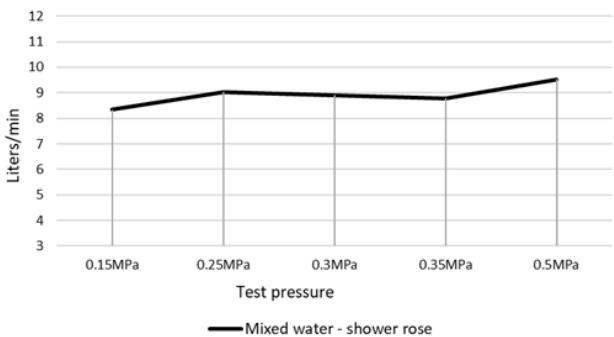
## CARE

- Do not install tapware using any form of acetone silicones.
- Do not apply physical items (such as tools) directly to product.
- Never use house-hold or commercial detergents, citrus based cleaners, or abrasive cleaners.
- Clean using a mild washing soap solution rinsed, and dry with a soft cloth.
- Check for any product defects before installation.
- Refer to the installation manual for correct installation.

## SPECIFICATIONS



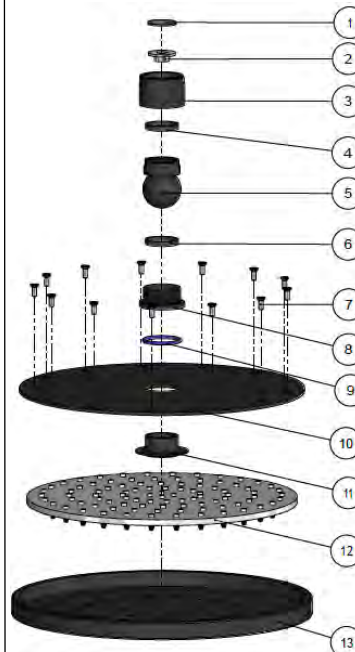
## FLOW RATE GRAPH



## CREDENTIALS

- Watermark AS/NZS3718WMKA25013
- Wels Rated 3 Star

## EXPLODED VIEW



| No. | Part Name       |
|-----|-----------------|
| 1   | Strainer        |
| 2   | Flow Controller |
| 3   | Nut             |
| 4   | Wearing Ring    |
| 5   | Universal Ball  |
| 6   | Wearing Ring    |
| 7   | Screw           |
| 8   | Connet Nut      |
| 9   | O-ring          |
| 10  | Cover Plate     |
| 11  | Connector       |
| 12  | Rubber Gasket   |
| 13  | Plate           |

# MH05 SHOWER ROSE

# meir®

**MATTE BLACK**  
MH05

**CHROME**  
MH05-C

**CHAMPAGNE**  
MH05-CH

**TIGER  
BRONZE**  
MH05-BB

**BRUSHED  
NICKEL**  
MH05-PVDBN

**AVAILABLE  
FINISHES**



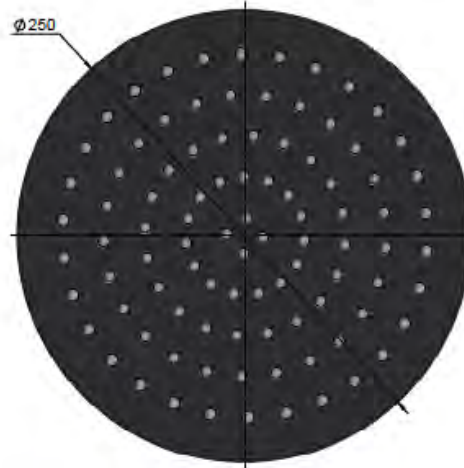
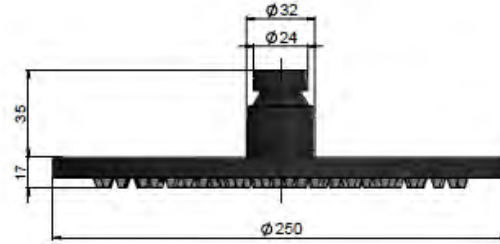
## FEATURES

- 10 Year warranty
- Flow rate 9L p/m
- Solid brass construction
- Box Weight 1.4 Kg

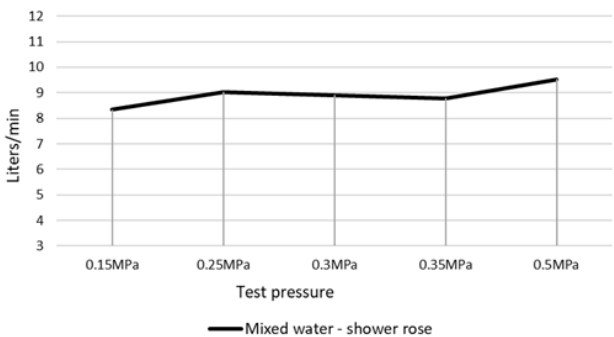
## CARE

- Do not install tapware using any form of acetone silicones.
- Do not apply physical items (such as tools) directly to product.
- Never use house-hold or commercial detergents, citrus based cleaners, or abrasive cleaners.
- Clean using a mild washing soap solution rinsed, and dry with a soft cloth.
- Check for any product defects before installation.
- Refer to the installation manual for correct installation.

## SPECIFICATIONS



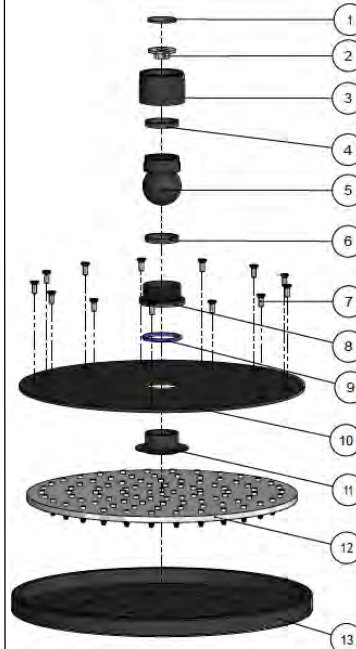
## FLOW RATE GRAPH



## CREDENTIALS

- Watermark AS/NZS3718WMKA25013
- Wels Rated 3 Star

## EXPLODED VIEW



| No. | Part Name       |
|-----|-----------------|
| 1   | Strainer        |
| 2   | Flow Controller |
| 3   | Nut             |
| 4   | Wearing Ring    |
| 5   | Universal Ball  |
| 6   | Wearing Ring    |
| 7   | Screw           |
| 8   | Connet Nut      |
| 9   | O-ring          |
| 10  | Cover Plate     |
| 11  | Connector       |
| 12  | Rubber Gasket   |
| 13  | Plate           |

# MH06

## SHOWER ROSE

# meir®

**MATTE BLACK**  
MH06

**CHROME**  
MH06-C

**CHAMPAGNE**  
MH06-CH

**TIGER  
BRONZE**  
MH06-BB

**BRUSHED  
NICKEL**  
MH06-PVDBN

**AVAILABLE  
FINISHES**



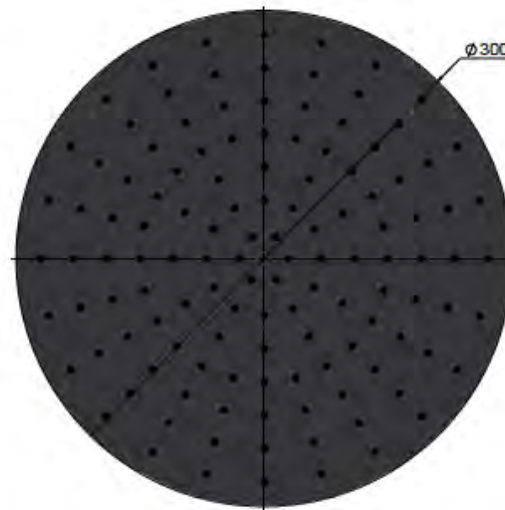
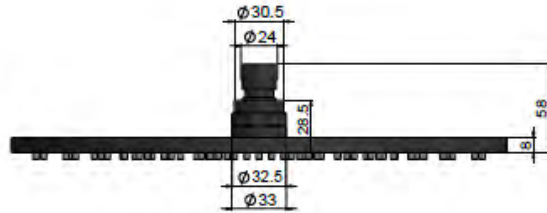
### FEATURES

- 10 Year warranty
- Flow rate 9L p/m
- Solid Brass construction
- Box Weight 2.0 Kg

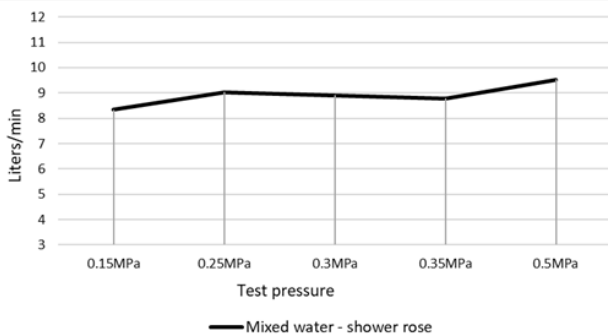
### CARE

- Do not install tapware using any form of acetone silicones.
- Do not apply physical items (such as tools) directly to product.
- Never use house-hold or commercial detergents, citrus based cleaners, or abrasive cleaners.
- Clean using a mild washing soap solution rinsed, and dry with a soft cloth.
- Check for any product defects before installation.
- Refer to the installation manual for correct installation.

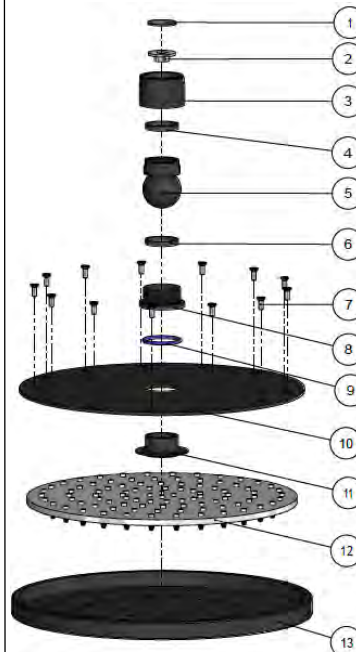
### SPECIFICATIONS



### FLOW RATE GRAPH



### EXPLODED VIEW



| No. | Part Name       |
|-----|-----------------|
| 1   | Strainer        |
| 2   | Flow Controller |
| 3   | Nut             |
| 4   | Wearing Ring    |
| 5   | Universal Ball  |
| 6   | Wearing Ring    |
| 7   | Screw           |
| 8   | Connet Nut      |
| 9   | O-ring          |
| 10  | Cover Plate     |
| 11  | Connector       |
| 12  | Rubber Gasket   |
| 13  | Plate           |

### CREDENTIALS

- Watermark AS/NZS3718WMKA25013
- Wels Rated 3 Star

# MW07-FIN

## WALL MIXER DIVERTER FINISH KIT

# meir®

**MATTE BLACK**  
MW07-FIN

**CHROME**  
MW07-FIN-C

**CHAMPAGNE**  
MW07-FIN-CH

**TIGER  
BRONZE**  
MW07-FIN  
-BB

**BRUSHED  
NICKEL**  
MW07-FIN  
-PVDBN

**AVAILABLE  
FINISHES**



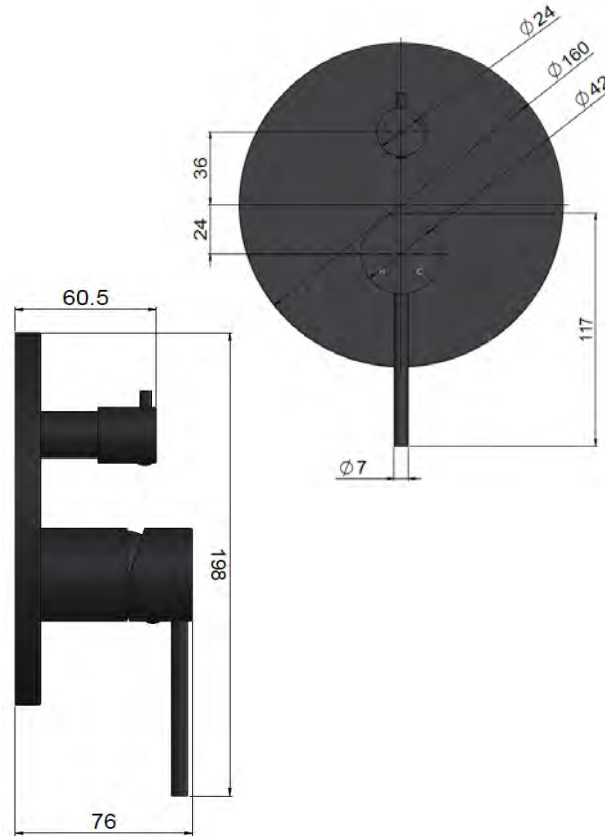
### FEATURES

- 10 Year warranty
- Flow rate 18L p/m
- European components and cartridge
- Reinforced rubber seal and lining
- Solid brass construction

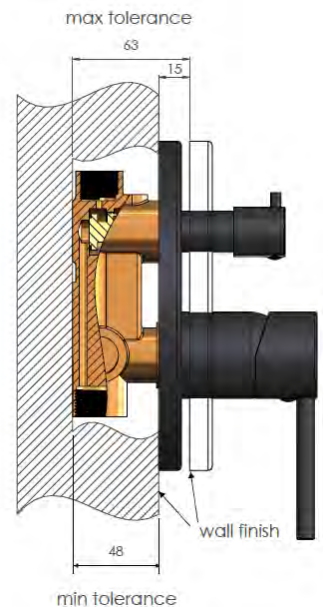
### CARE

- Do not install tapware using any form of acetone silicones.
- Do not apply physical items (such as tools) directly to product.
- Never use house-hold or commercial detergents, citrus based cleaners, or abrasive cleaners.
- Clean using a mild washing soap solution rinsed, and dry with a soft cloth.
- Check for any product defects before installation.
- Refer to the installation manual for correct installation.

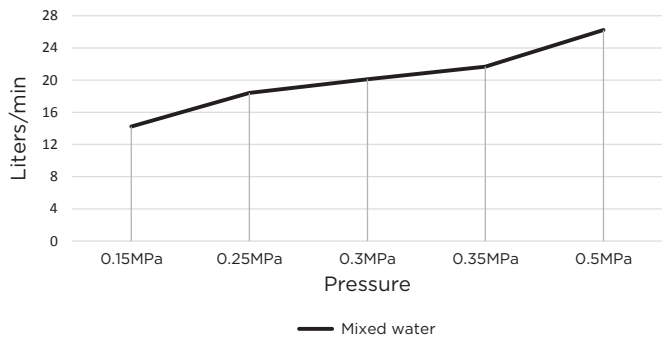
### SPECIFICATIONS



### TOLERANCES



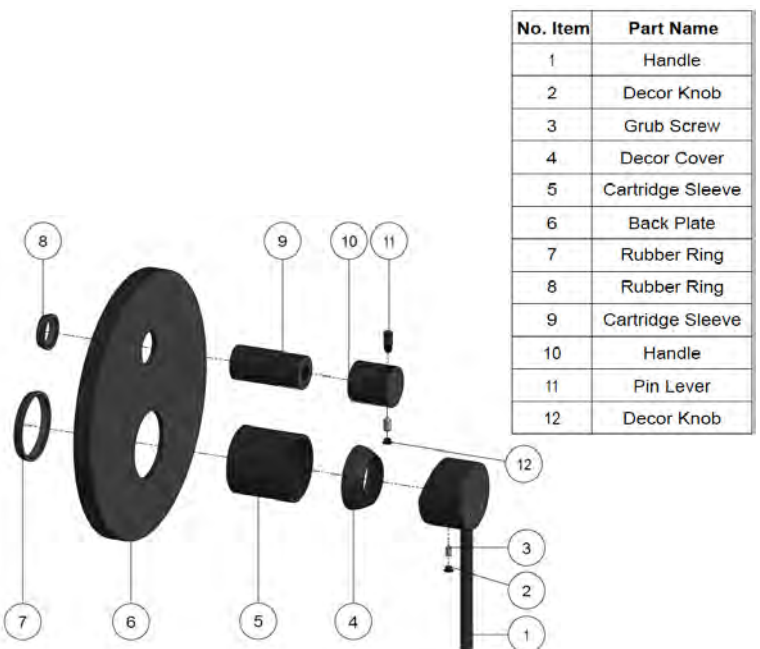
### FLOW RATE GRAPH



### CREDENTIALS

- Watermark AS/NZS 3718WMKA25013

### EXPLODED VIEW



# MW27BDY

## WALL DIVERTER CONCEALED PART

# meir®

BRASS  
MW27BDY

AVAILABLE  
FINISHES



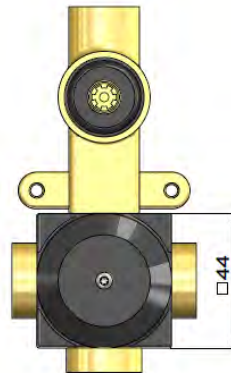
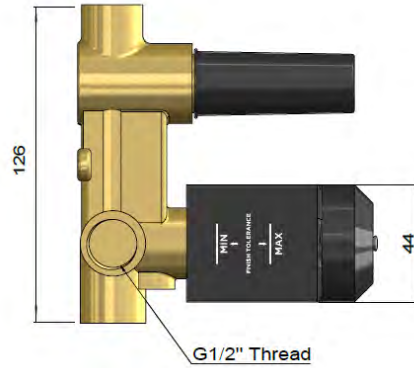
### FEATURES

- 10 Year warranty
- Flow rate 18L p/m
- European components and cartridge
- Reinforced rubber seal and lining
- Solid brass construction

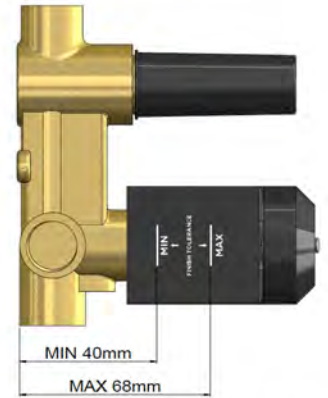
### CARE

- Do not install tapware using any form of acetone silicones.
- Do not apply physical items (such as tools) directly to product.
- Never use house-hold or commercial detergents, citrus based cleaners, or abrasive cleaners.
- Clean using a mild washing soap solution rinsed, and dry with a soft cloth.
- Check for any product defects before installation.
- Refer to the installation manual for correct installation.

### SPECIFICATIONS

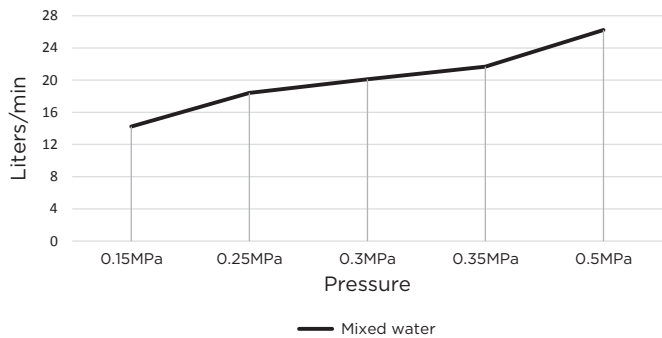


### TOLERANCES



WALL FINISH TOLERANCE

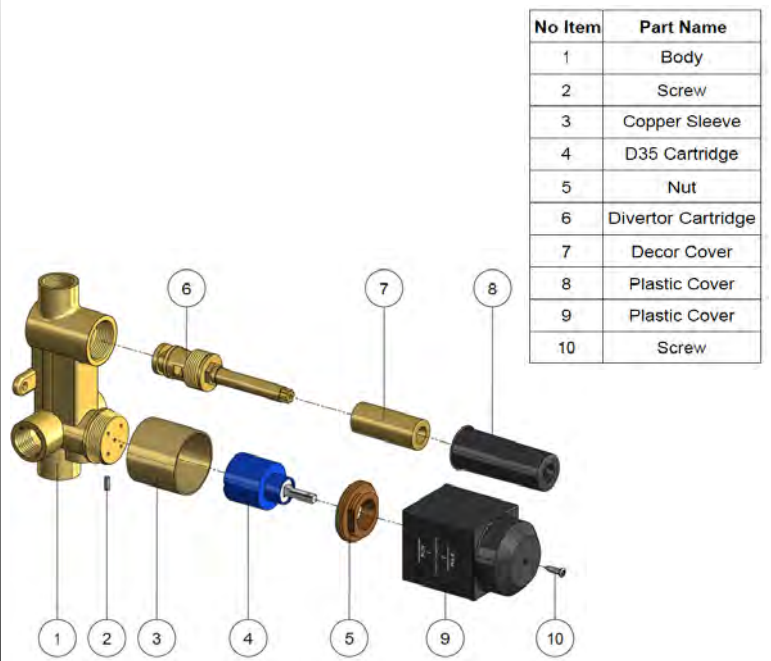
### FLOW RATE GRAPH



### CREDENTIALS

- Watermark AS/NZS 3718WMKA25013

### EXPLODED VIEW



# MZ06-R HAND SHOWER



# meir®

**MATTE BLACK**  
MZ06-R

**CHROME**  
MZ06-R-C

**CHAMPAGNE**  
MZ06-R-CH

**TIGER  
BRONZE**  
MZ06-R-BB

**BRUSHED  
NICKEL**  
MZ06-R  
-PVDBN

**AVAILABLE  
FINISHES**

## FEATURES

- 10 Year warranty
- Flow rate **6 L p/m**
- Solid brass construction
- Box Weight **1.06 kg**
- 68mm long 1/2" threaded adapter included

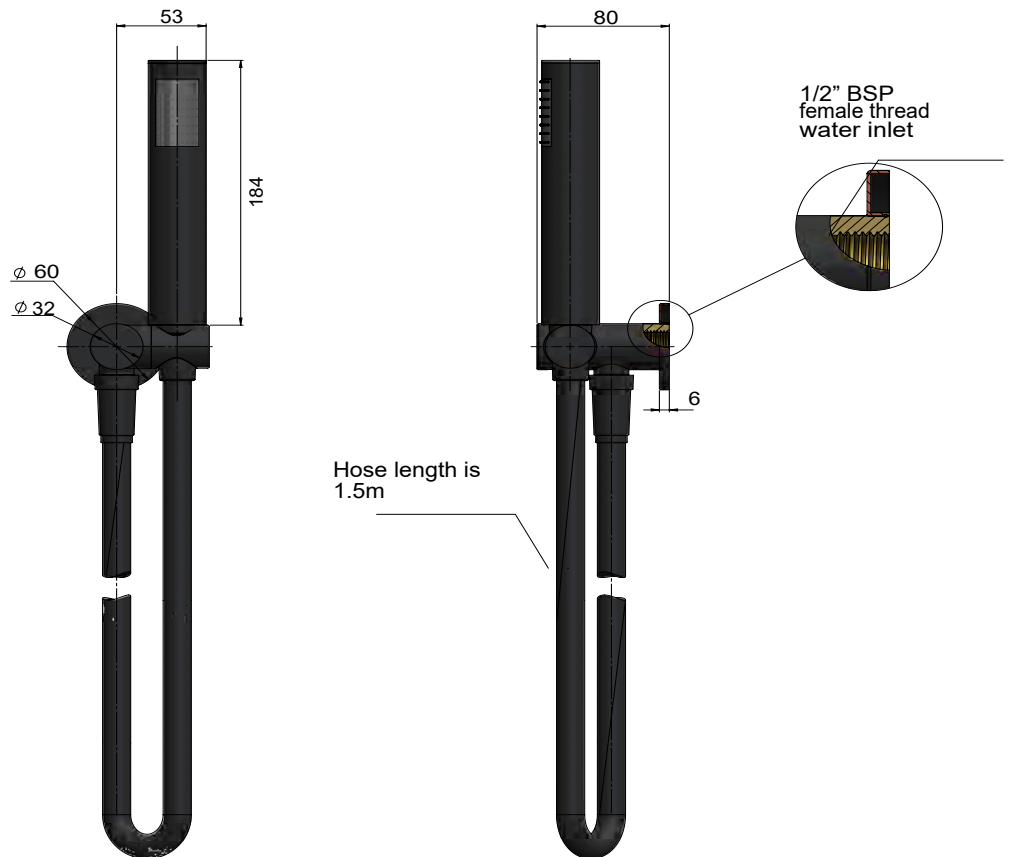
## CARE

- Do not install tapware using any form of acetone silicones.
- Do not apply physical items (such as tools) directly to product.
- Never use house-hold or commercial detergents, citrus based cleaners, or abrasive cleaners.
- Clean using a mild washing soap solution rinsed, and dry with a soft cloth.
- Check for any product defects before installation.
- Refer to the installation manual for correct installation.

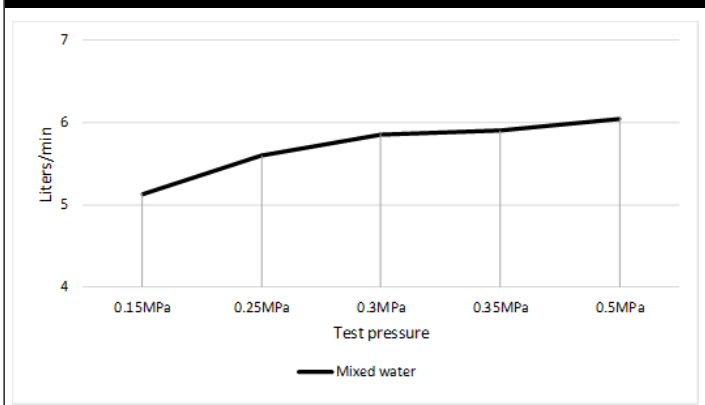
## CREDENTIALS

- Watermark AS/NZS3718WMKA25013
- Wels Rated 3 Star

## SPECIFICATIONS

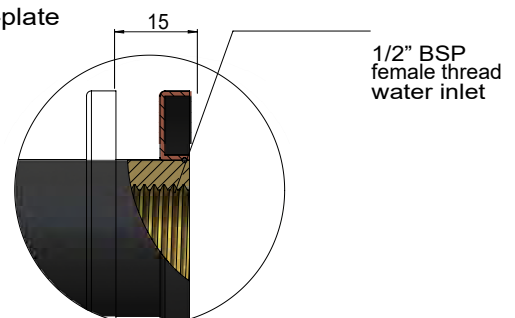


## FLOW RATE GRAPH



## TOLERANCES

Max back-plate tolerance



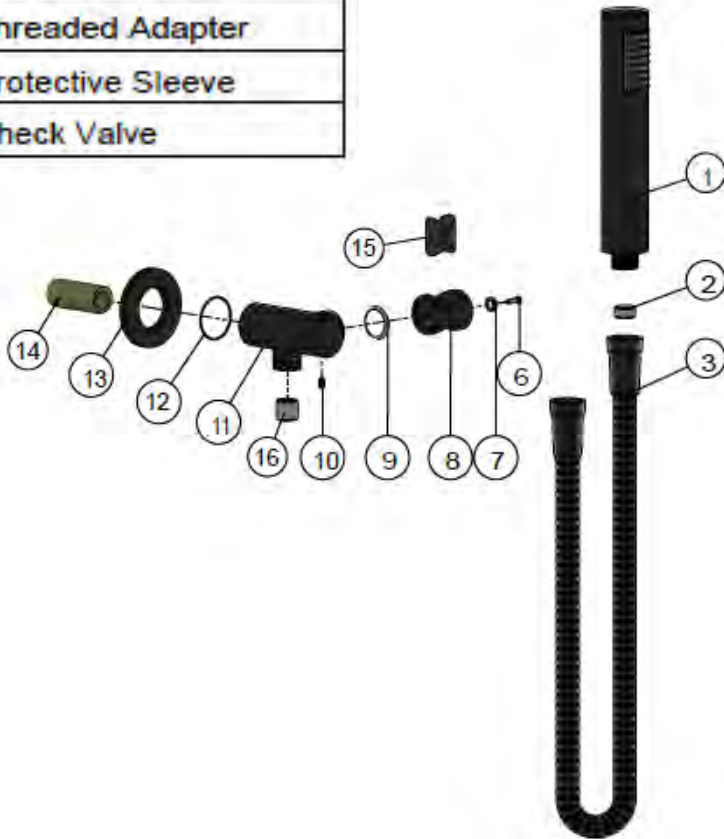
# MZ06-R

## HAND SHOWER

# meir®

### EXPLODED VIEW

| NO. | Part Number           |
|-----|-----------------------|
| 1   | Handle Shower         |
| 2   | Water Flow Controller |
| 3   | Shower Hose           |
| 6   | Screw                 |
| 7   | Wear Ring             |
| 8   | Bracket               |
| 9   | Wear Ring             |
| 10  | Screw                 |
| 11  | Bracket Base          |
| 12  | O-Ring                |
| 13  | Back Plate            |
| 14  | Threaded Adapter      |
| 15  | Protective Sleeve     |
| 16  | Check Valve           |



NOTE: The hose end caps of parts (3,6) are made from a special hardened plastic to prevent the brass mount (8) from scratching.