

MA02-400 WALL SHOWER ARM



meir®

MATTE BLACK
MA02-400

CHROME
MA02-400-C

CHAMPAGNE
MA02-400
-CH

TIGER
BRONZE
MA02-400
-PVDBB

BRUSHED
NICKEL
MA02-400
-PVDBN

AVAILABLE
FINISHES

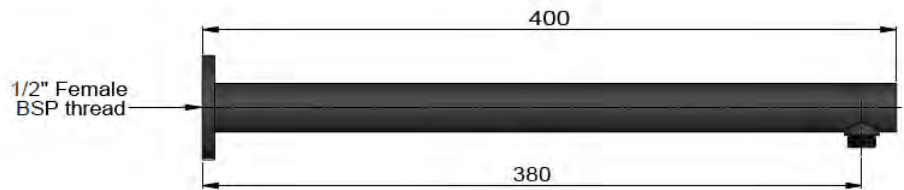
FEATURES

- 10 Year warranty
- Solid brass construction
- Box Weight **0.7kg**
- 68mm long 1/2" threaded adapter included

CARE

- Do not install tapware using any form of acetone silicones.
- Do not apply physical items (such as tools) directly to product.
- Never use house-hold or commercial detergents, citrus based cleaners, or abrasive cleaners.
- Clean using a mild washing soap solution rinsed, and dry with a soft cloth.
- Check for any product defects before installation.
- Refer to the installation manual for correct installation.

SPECIFICATIONS



EXPLODED VIEW



Item	Description
1	Back plate
2	O-ring
3	Shower arm
4	Flat washer
5	Connector

MH04 SHOWER ROSE

meir®

MATTE BLACK
MH04

CHROME
MH04-C

CHAMPAGNE
MH04-CH

**TIGER
BRONZE**
MH04-BB

**BRUSHED
NICKEL**
MH04-PVDBN

**AVAILABLE
FINISHES**



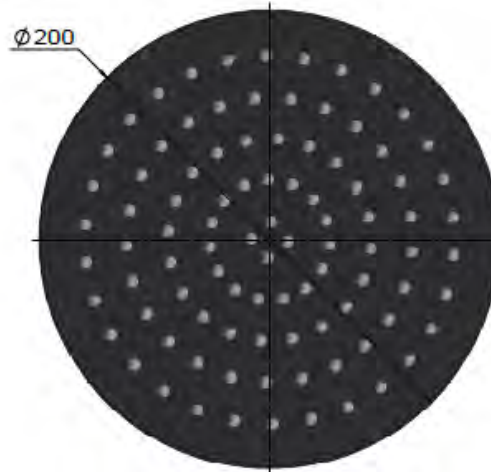
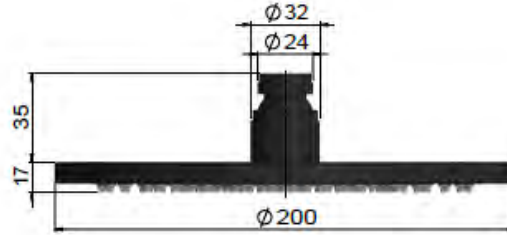
FEATURES

- 10 Year warranty
- Flow rate 9L p/m
- Solid brass construction
- Box Weight 1.1 Kg

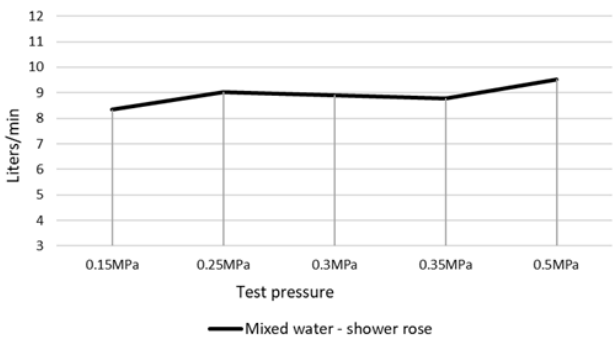
CARE

- Do not install tapware using any form of acetone silicones.
- Do not apply physical items (such as tools) directly to product.
- Never use house-hold or commercial detergents, citrus based cleaners, or abrasive cleaners.
- Clean using a mild washing soap solution rinsed, and dry with a soft cloth.
- Check for any product defects before installation.
- Refer to the installation manual for correct installation.

SPECIFICATIONS



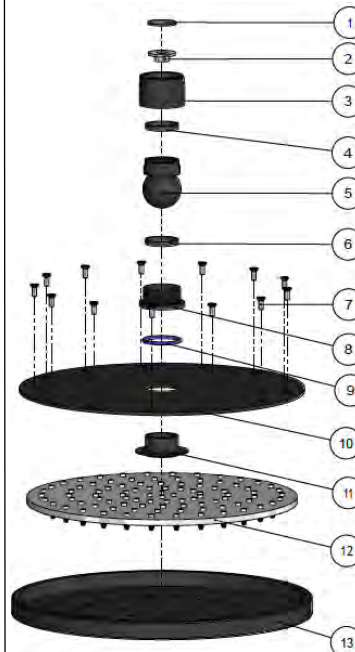
FLOW RATE GRAPH



CREDENTIALS

- Watermark AS/NZS3718WMKA25013
- Wels Rated 3 Star

EXPLODED VIEW



No.	Part Name
1	Strainer
2	Flow Controller
3	Nut
4	Wearing Ring
5	Universal Ball
6	Wearing Ring
7	Screw
8	Connet Nut
9	O-ring
10	Cover Plate
11	Connector
12	Rubber Gasket
13	Plate

MH05 SHOWER ROSE

meir®

MATTE BLACK
MH05

CHROME
MH05-C

CHAMPAGNE
MH05-CH

**TIGER
BRONZE**
MH05-BB

**BRUSHED
NICKEL**
MH05-PVDBN

**AVAILABLE
FINISHES**



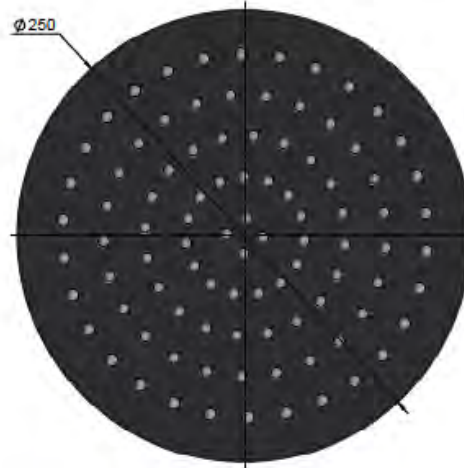
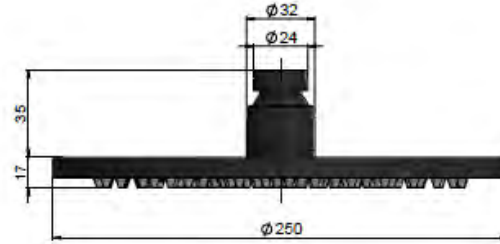
FEATURES

- 10 Year warranty
- Flow rate 9L p/m
- Solid brass construction
- Box Weight 1.4 Kg

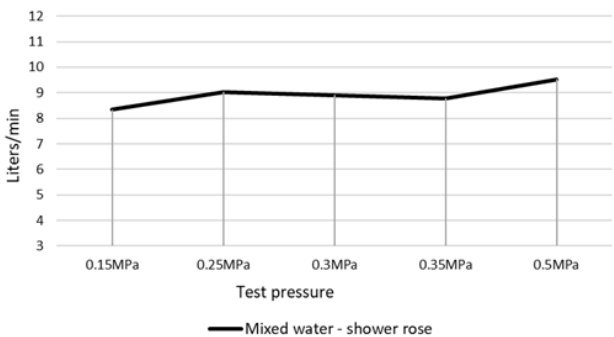
CARE

- Do not install tapware using any form of acetone silicones.
- Do not apply physical items (such as tools) directly to product.
- Never use house-hold or commercial detergents, citrus based cleaners, or abrasive cleaners.
- Clean using a mild washing soap solution rinsed, and dry with a soft cloth.
- Check for any product defects before installation.
- Refer to the installation manual for correct installation.

SPECIFICATIONS



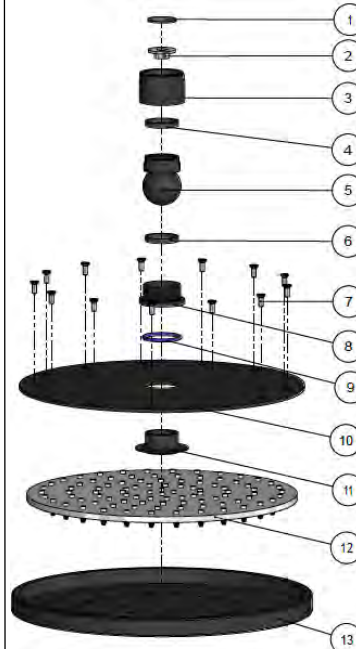
FLOW RATE GRAPH



CREDENTIALS

- Watermark AS/NZS3718WMKA25013
- Wels Rated 3 Star

EXPLODED VIEW



No.	Part Name
1	Strainer
2	Flow Controller
3	Nut
4	Wearing Ring
5	Universal Ball
6	Wearing Ring
7	Screw
8	Connet Nut
9	O-ring
10	Cover Plate
11	Connector
12	Rubber Gasket
13	Plate

MH06

SHOWER ROSE

meir®

MATTE BLACK
MH06

CHROME
MH06-C

CHAMPAGNE
MH06-CH

**TIGER
BRONZE**
MH06-BB

**BRUSHED
NICKEL**
MH06-PVDBN

**AVAILABLE
FINISHES**



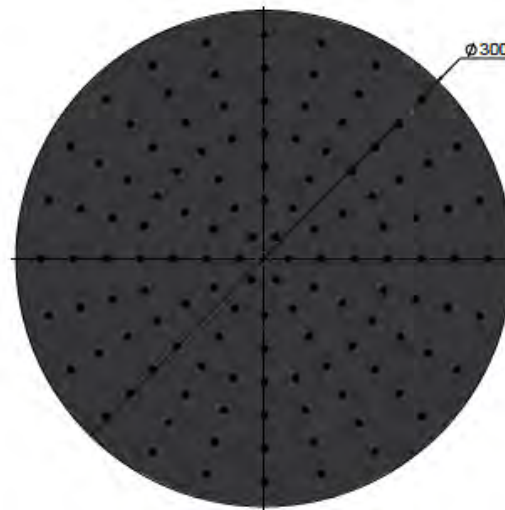
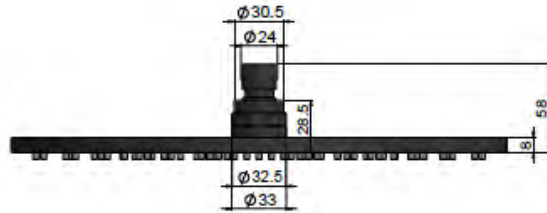
FEATURES

- 10 Year warranty
- Flow rate 9L p/m
- Solid Brass construction
- Box Weight 2.0 Kg

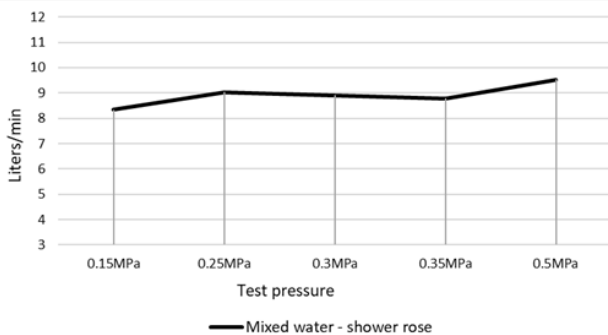
CARE

- Do not install tapware using any form of acetone silicones.
- Do not apply physical items (such as tools) directly to product.
- Never use house-hold or commercial detergents, citrus based cleaners, or abrasive cleaners.
- Clean using a mild washing soap solution rinsed, and dry with a soft cloth.
- Check for any product defects before installation.
- Refer to the installation manual for correct installation.

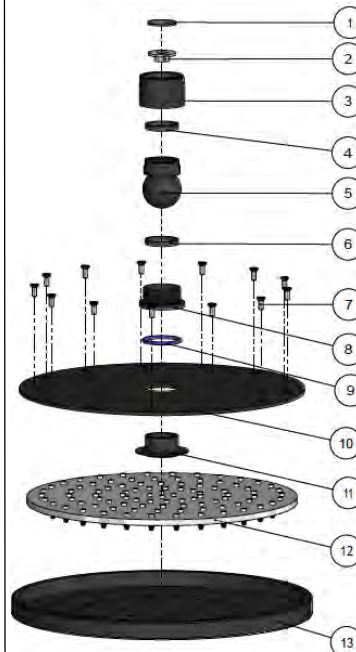
SPECIFICATIONS



FLOW RATE GRAPH



EXPLODED VIEW



No.	Part Name
1	Strainer
2	Flow Controller
3	Nut
4	Wearing Ring
5	Universal Ball
6	Wearing Ring
7	Screw
8	Connet Nut
9	O-ring
10	Cover Plate
11	Connector
12	Rubber Gasket
13	Plate

CREDENTIALS

- Watermark AS/NZS3718WMKA25013
- Wels Rated 3 Star

MTV22 & MTV02

ROUND THERMOSTATIC MIXER 2-way



meir®

MATTE BLACK
MTV22

CHROME
MTV22-C

CHAMPAGNE
MTV22-CH

**TIGER
BRONZE**
MTV22-BB

**BRUSHED
NICKEL**
MTV22-PVDBN

**AVAILABLE
FINISHES**

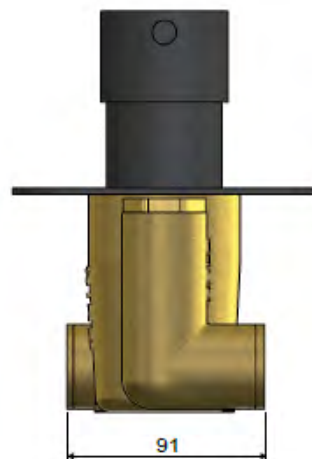
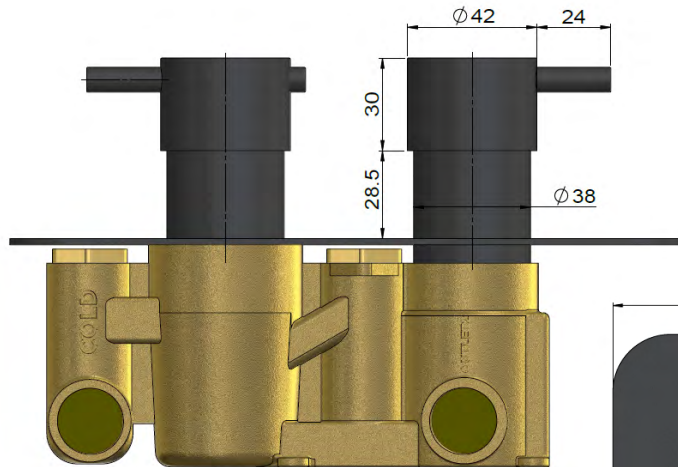
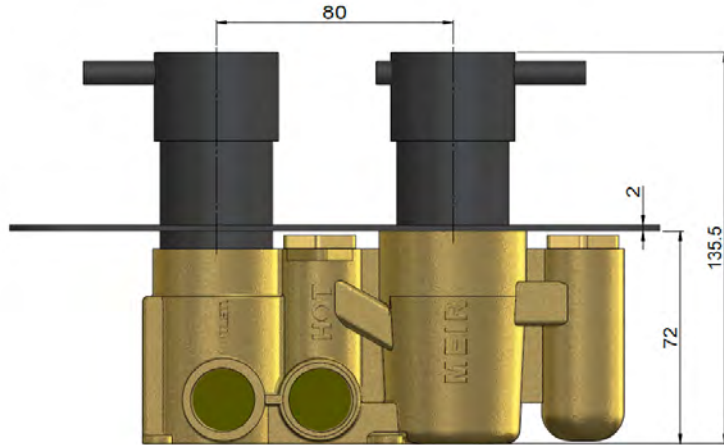
FEATURES

- 10 Year Warranty
- Flow rate 30L p/m at 3 bar.
Flow rate 17L p/m at 1 bar.
Recommended for water pressure above 0.5 bar.
- Box weight 0.95kg
- Vernet thermostatic cartridge
- Anti-scalding protection
- Temperature over-ride button
- 1-Way Fluhs diverter
- High low-pressure flow rate
- Solid Brass Construction
- Used together with the MTV02 body part.(2.3kg)

CARE

- Do not install tapware using any form of acetone silicones.
- Do not apply physical items (such as tools) directly to product.
- Never use house-hold or commercial detergents, citrus based cleaners, or abrasive cleaners.
- Clean using a mild washing soap solution rinsed, and dry with a soft cloth.
- Check for any product defects before installation.
- Refer to the installation manual for correct installation.

SPECIFICATIONS

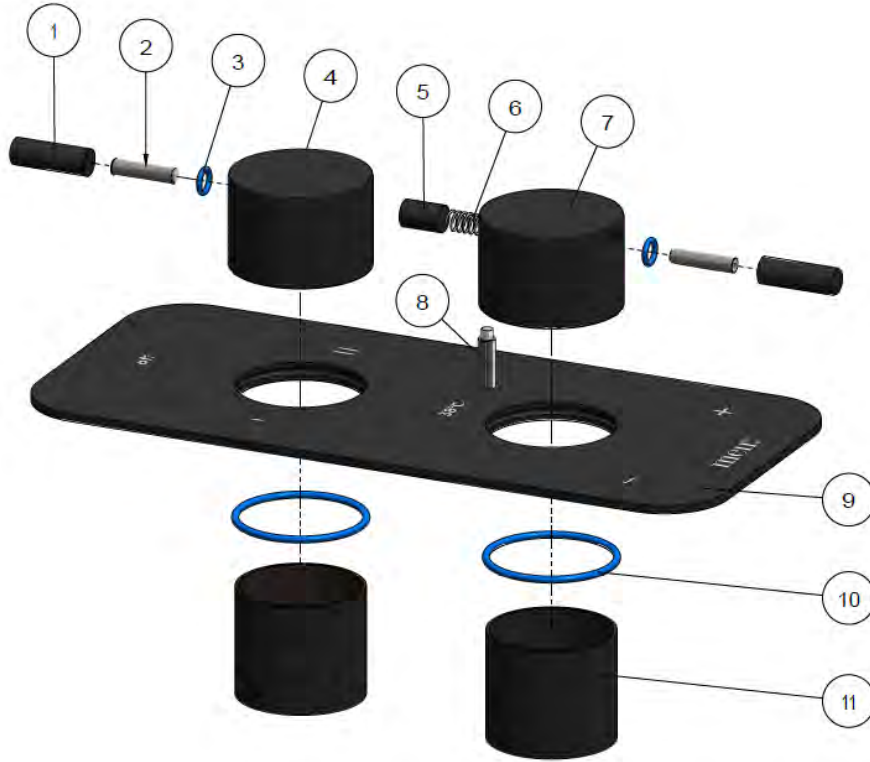


Australian installers to visit the below website before working on the thermostatic mixer valve:
<https://www.vba.vic.gov.au/plumbing/registrations-licences/thermostatic-mixing-valve>

MTV22

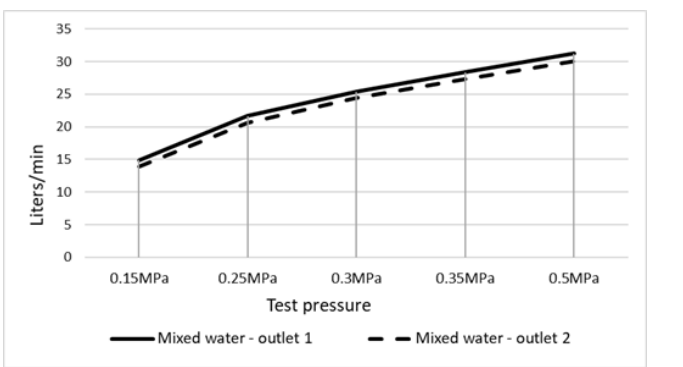
ROUND THERMOSTATIC MIXER 2-way

EXPLODED VIEW



No.	Part Name
1	Pin Lever
2	Screw
3	O-ring
4	Handle
5	Button
6	Spring
7	Handle
8	Positioning Pin
9	Back Plate
10	O-ring
11	Copper Sleeve

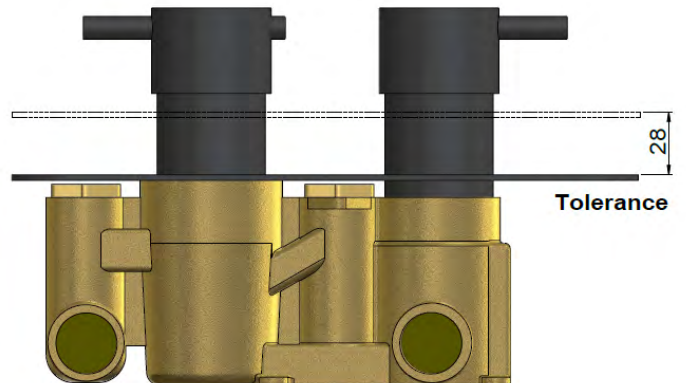
FLOW RATE GRAPH



CREDENTIALS

- Applying for WRAS

TOLERANCES



MZ06-R HAND SHOWER



meir®

MATTE BLACK
MZ06-R

CHROME
MZ06-R-C

CHAMPAGNE
MZ06-R-CH

TIGER
BRONZE
MZ06-R-BB

BRUSHED
NICKEL
MZ06-R
-PVDBN

AVAILABLE
FINISHES

FEATURES

- 10 Year warranty
- Flow rate **6 L p/m**
- Solid brass construction
- Box Weight **1.06 kg**
- 68mm long 1/2" threaded adapter included

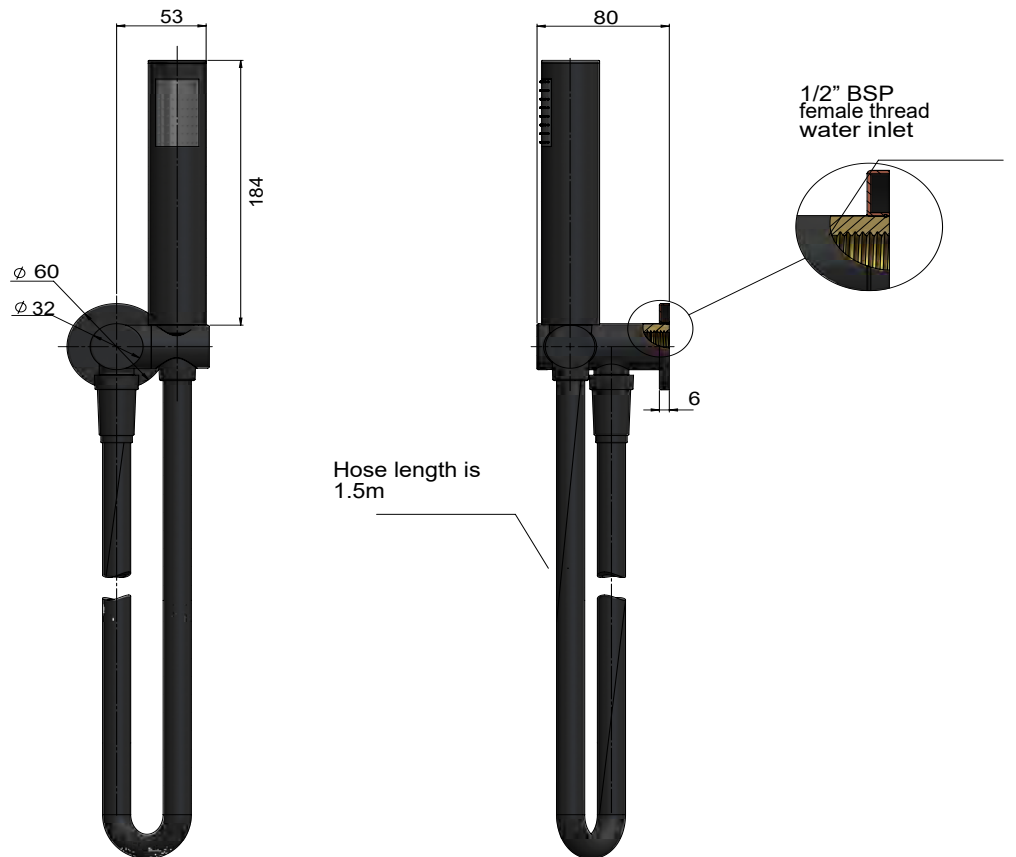
CARE

- Do not install tapware using any form of acetone silicones.
- Do not apply physical items (such as tools) directly to product.
- Never use house-hold or commercial detergents, citrus based cleaners, or abrasive cleaners.
- Clean using a mild washing soap solution rinsed, and dry with a soft cloth.
- Check for any product defects before installation.
- Refer to the installation manual for correct installation.

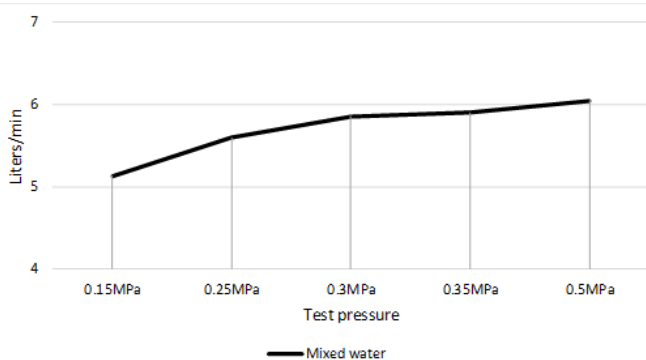
CREDENTIALS

- Watermark AS/NZS3718WMKA25013
- Wels Rated 3 Star

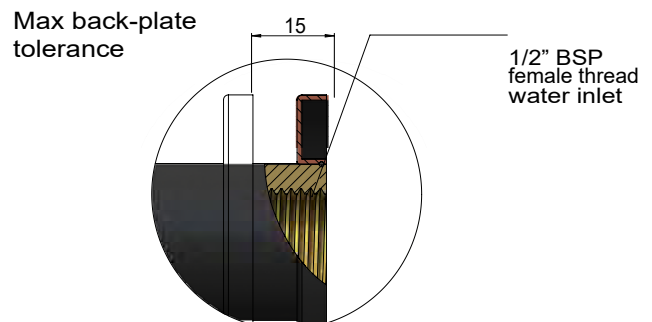
SPECIFICATIONS



FLOW RATE GRAPH



TOLERANCES



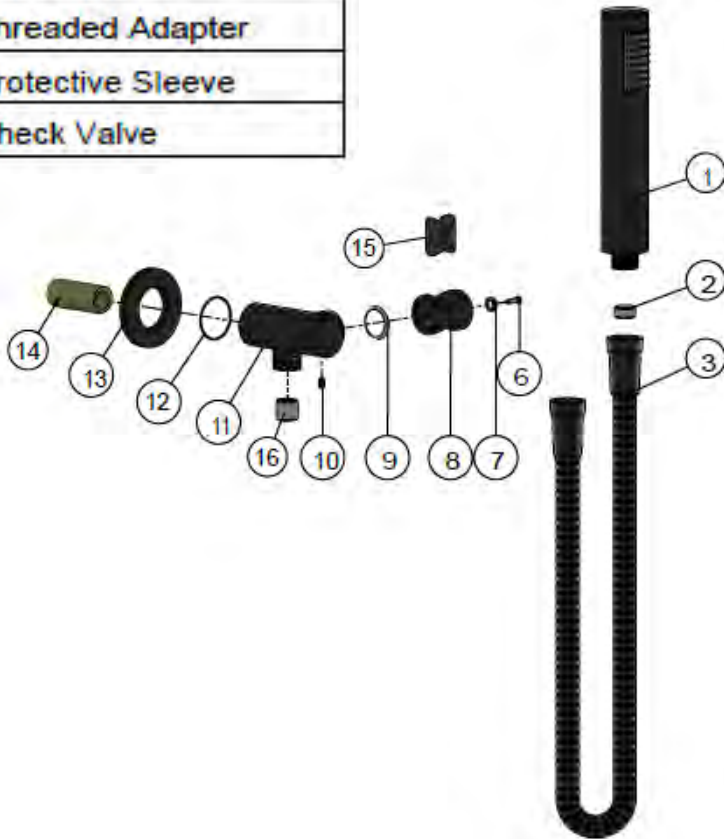
MZ06-R

HAND SHOWER

meir®

EXPLODED VIEW

NO.	Part Number
1	Handle Shower
2	Water Flow Controller
3	Shower Hose
6	Screw
7	Wear Ring
8	Bracket
9	Wear Ring
10	Screw
11	Bracket Base
12	O-Ring
13	Back Plate
14	Threaded Adapter
15	Protective Sleeve
16	Check Valve



NOTE: The hose end caps of parts (3,6) are made from a special hardened plastic to prevent the brass mount (8) from scratching.