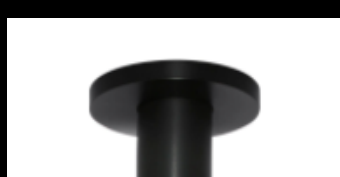


MA07-150

CEILING SHOWER ARM



meir®

MATTE BLACK
MA07-150

CHROME
MA07-150-C

CHAMPAGNE
MA07-150-CH

TIGER
BRONZE
MA07-150-BB

BRUSHED
NICKEL
MA07-150-
-PVDBN

AVAILABLE
FINISHES

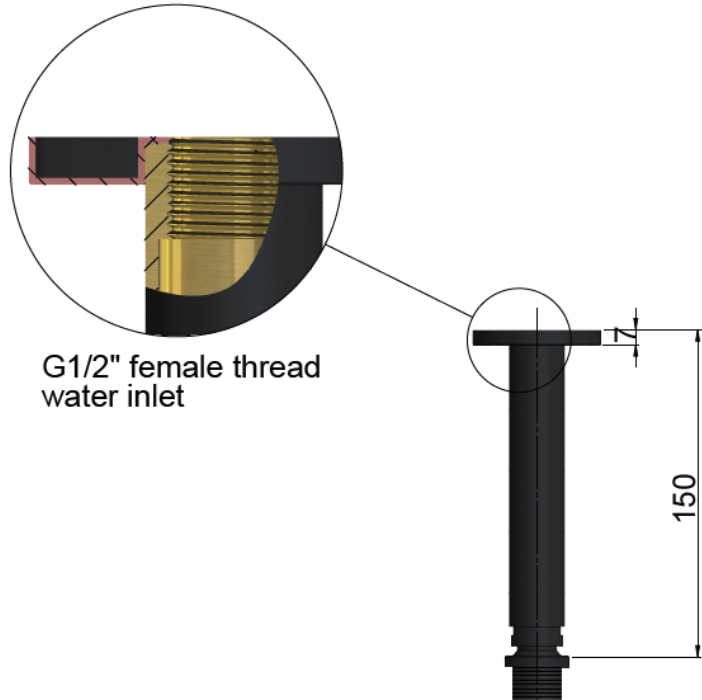
FEATURES

- 10 Year warranty
- Solid brass construction
- Box Weight 0.5kg
- 68mm long 1/2" threaded adapter included

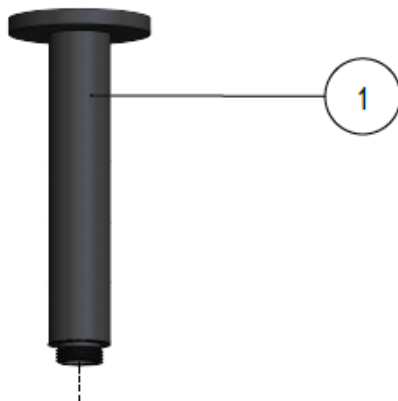
CARE

- Do not install tapware using any form of acetone silicones.
- Do not apply physical items (such as tools) directly to product.
- Never use house-hold or commercial detergents, citrus based cleaners, or abrasive cleaners.
- Clean using a mild washing soap solution rinsed, and dry with a soft cloth.
- Check for any product defects before installation.
- Refer to the installation manual for correct installation.

SPECIFICATIONS



EXPLODED VIEW



No.	Part Name
1	Ceiling Arm

MA07-300

CEILING SHOWER ARM



meir®

MATTE BLACK
MA07-300

CHROME
MA07-300-C

CHAMPAGNE
MA07-300-CH

**TIGER
BRONZE**
MA07-300-BB

**BRUSHED
NICKEL**
MA07-300-
-PVDBN

**AVAILABLE
FINISHES**

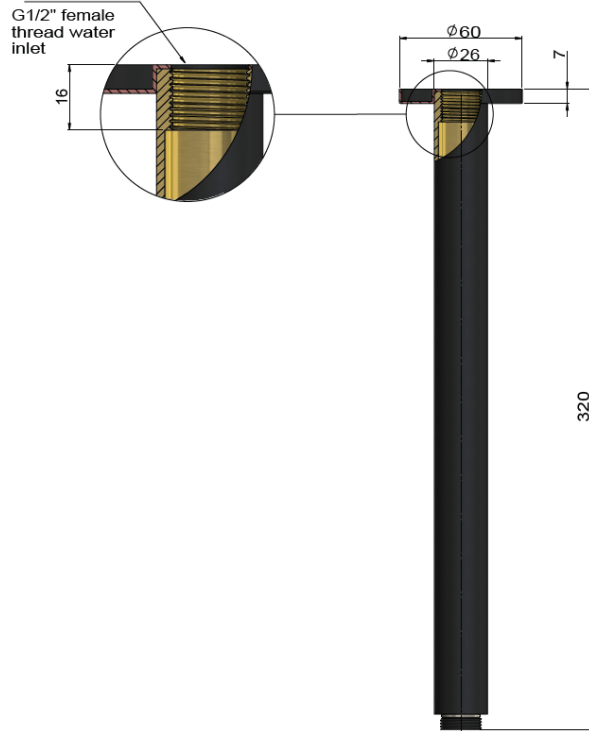
FEATURES

- 10 Year warranty
- Solid brass construction
- Box Weight 0.6kg
- 68mm long 1/2" threaded adapter included

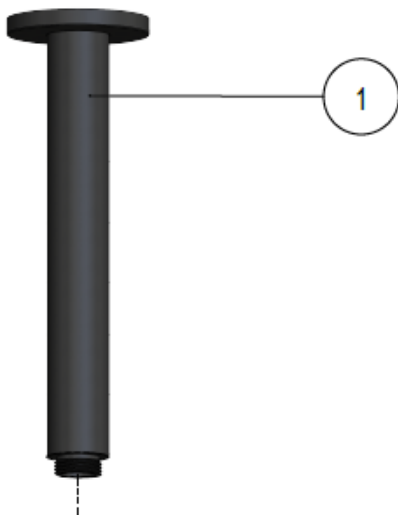
CARE

- Do not install tapware using any form of acetone silicones.
- Do not apply physical items (such as tools) directly to product.
- Never use house-hold or commercial detergents, citrus based cleaners, or abrasive cleaners.
- Clean using a mild washing soap solution rinsed, and dry with a soft cloth.
- Check for any product defects before installation.
- Refer to the installation manual for correct installation.

SPECIFICATIONS



EXPLODED VIEW



No.	Part Name
1	Ceiling Arm

MH04 SHOWER ROSE

meir®

MATTE BLACK
MH04

CHROME
MH04-C

CHAMPAGNE
MH04-CH

**TIGER
BRONZE**
MH04-BB

**BRUSHED
NICKEL**
MH04-PVDBN

**AVAILABLE
FINISHES**



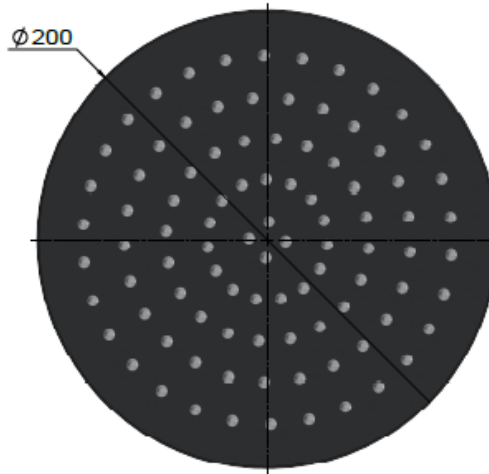
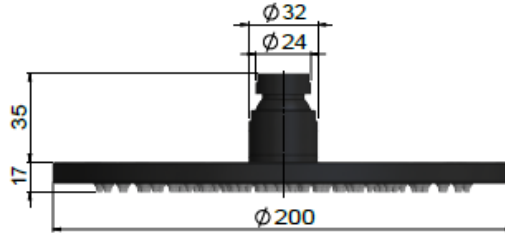
FEATURES

- 10 Year warranty
- Flow rate 9L p/m
- Solid brass construction
- Box Weight 1.1 Kg

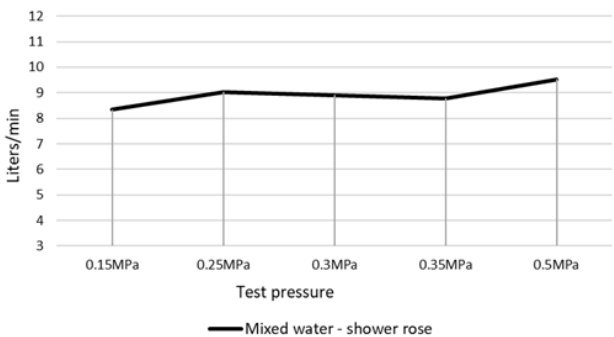
CARE

- Do not install tapware using any form of acetone silicones.
- Do not apply physical items (such as tools) directly to product.
- Never use house-hold or commercial detergents, citrus based cleaners, or abrasive cleaners.
- Clean using a mild washing soap solution rinsed, and dry with a soft cloth.
- Check for any product defects before installation.
- Refer to the installation manual for correct installation.

SPECIFICATIONS



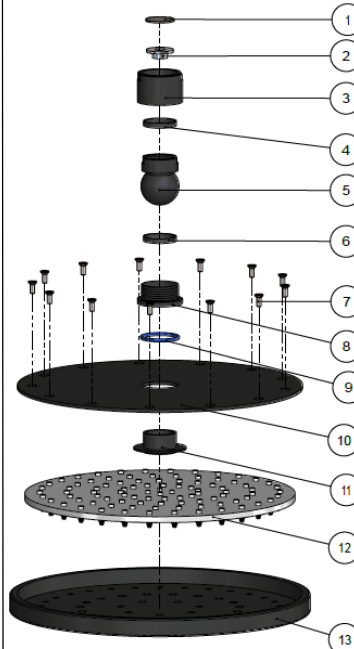
FLOW RATE GRAPH



CREDENTIALS

- Watermark AS/NZS3718WMKA25013
- Wels Rated 3 Star

EXPLODED VIEW



No.	Part Name
1	Strainer
2	Flow Controller
3	Nut
4	Wearing Ring
5	Universal Ball
6	Wearing Ring
7	Screw
8	Connet Nut
9	O-ring
10	Cover Plate
11	Connector
12	Rubber Gasket
13	Plate

MH05 SHOWER ROSE

meir®

MATTE BLACK
MH05

CHROME
MH05-C

CHAMPAGNE
MH05-CH

**TIGER
BRONZE**
MH05-BB

**BRUSHED
NICKEL**
MH05-PVDBN

**AVAILABLE
FINISHES**



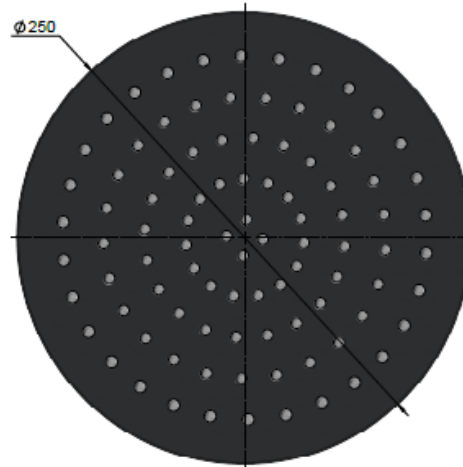
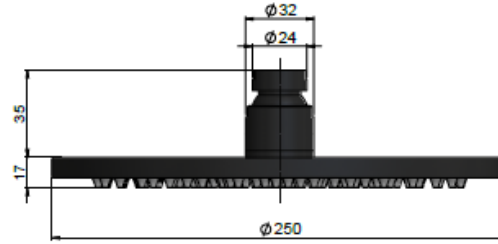
FEATURES

- 10 Year warranty
- Flow rate 9L p/m
- Solid brass construction
- Box Weight 1.4 Kg

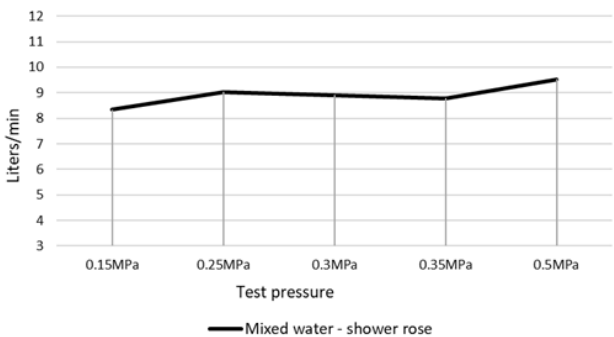
CARE

- Do not install tapware using any form of acetone silicones.
- Do not apply physical items (such as tools) directly to product.
- Never use house-hold or commercial detergents, citrus based cleaners, or abrasive cleaners.
- Clean using a mild washing soap solution rinsed, and dry with a soft cloth.
- Check for any product defects before installation.
- Refer to the installation manual for correct installation.

SPECIFICATIONS



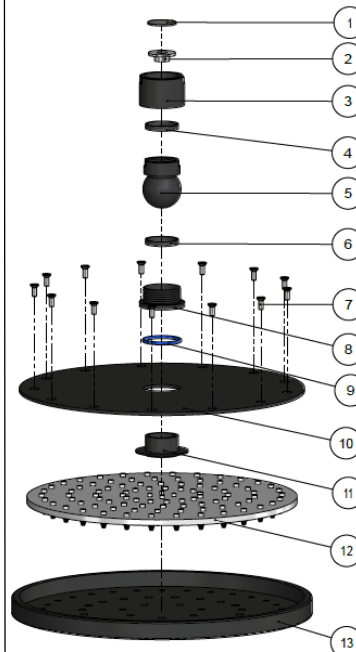
FLOW RATE GRAPH



CREDENTIALS

- Watermark AS/NZS3718WMKA25013
- Wels Rated 3 Star

EXPLODED VIEW



No.	Part Name
1	Strainer
2	Flow Controller
3	Nut
4	Wearing Ring
5	Universal Ball
6	Wearing Ring
7	Screw
8	Connet Nut
9	O-ring
10	Cover Plate
11	Connector
12	Rubber Gasket
13	Plate

MH06

SHOWER ROSE

meir®

MATTE BLACK
MH06

CHROME
MH06-C

CHAMPAGNE
MH06-CH

**TIGER
BRONZE**
MH06-BB

**BRUSHED
NICKEL**
MH06-PVDBN

**AVAILABLE
FINISHES**



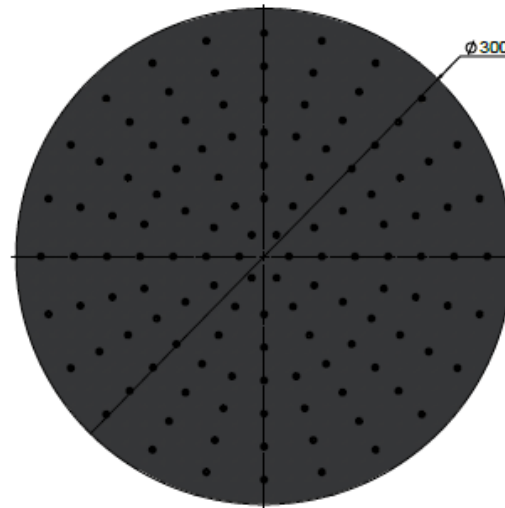
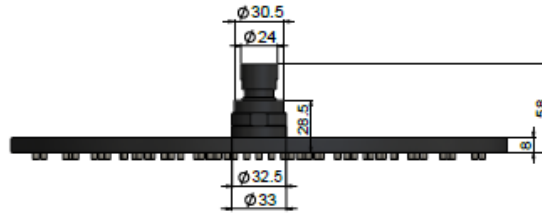
FEATURES

- 10 Year warranty
- Flow rate 9L p/m
- Solid Brass construction
- Box Weight 2.0 Kg

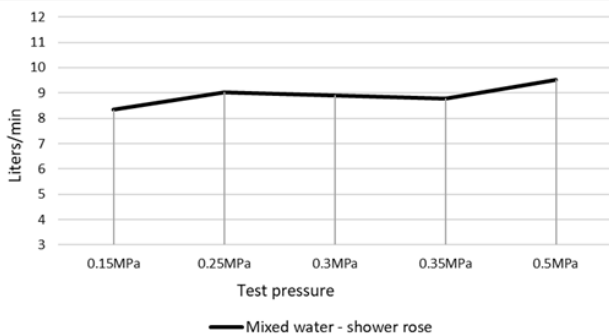
CARE

- Do not install tapware using any form of acetone silicones.
- Do not apply physical items (such as tools) directly to product.
- Never use house-hold or commercial detergents, citrus based cleaners, or abrasive cleaners.
- Clean using a mild washing soap solution rinsed, and dry with a soft cloth.
- Check for any product defects before installation.
- Refer to the installation manual for correct installation.

SPECIFICATIONS



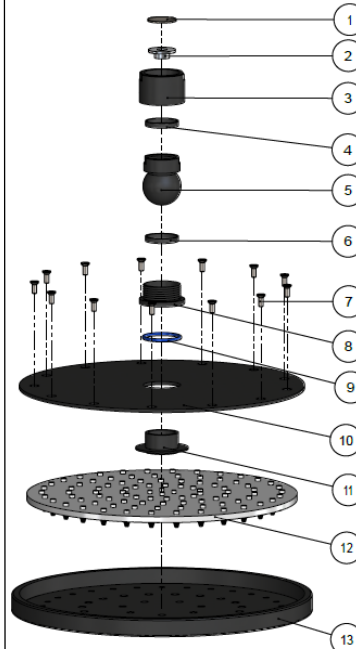
FLOW RATE GRAPH



CREDENTIALS

- Watermark AS/NZS3718WMKA25013
- Wels Rated 3 Star

EXPLODED VIEW



No.	Part Name
1	Strainer
2	Flow Controller
3	Nut
4	Wearing Ring
5	Universal Ball
6	Wearing Ring
7	Screw
8	Connet Nut
9	O-ring
10	Cover Plate
11	Connector
12	Rubber Gasket
13	Plate

MW07-FIN

WALL MIXER DIVERTER FINISH KIT

meir®

MATTE BLACK
MW07-FIN

CHROME
MW07-FIN-C

CHAMPAGNE
MW07-FIN-CH

**TIGER
BRONZE**
MW07-FIN
-BB

**BRUSHED
NICKEL**
MW07-FIN
-PVDBN

**AVAILABLE
FINISHES**



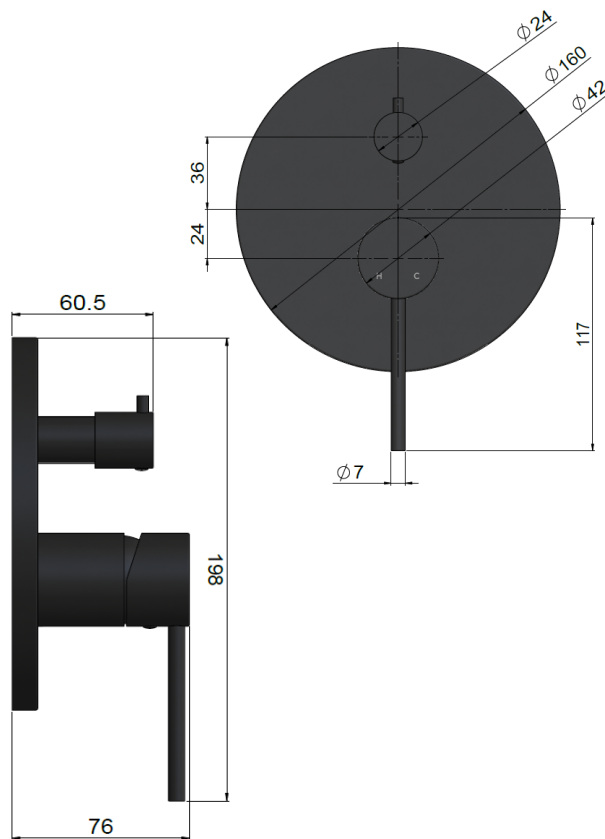
FEATURES

- 10 Year warranty
- Flow rate 18L p/m
- European components and cartridge
- Reinforced rubber seal and lining
- Solid brass construction

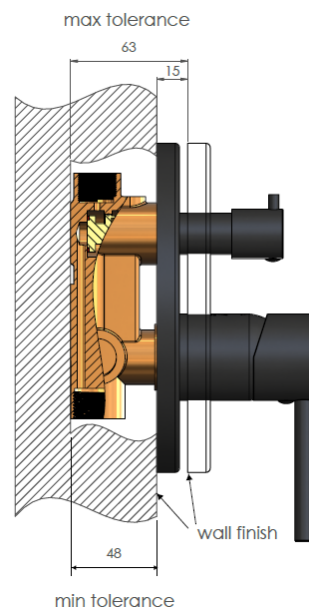
CARE

- Do not install tapware using any form of acetone silicones.
- Do not apply physical items (such as tools) directly to product.
- Never use house-hold or commercial detergents, citrus based cleaners, or abrasive cleaners.
- Clean using a mild washing soap solution rinsed, and dry with a soft cloth.
- Check for any product defects before installation.
- Refer to the installation manual for correct installation.

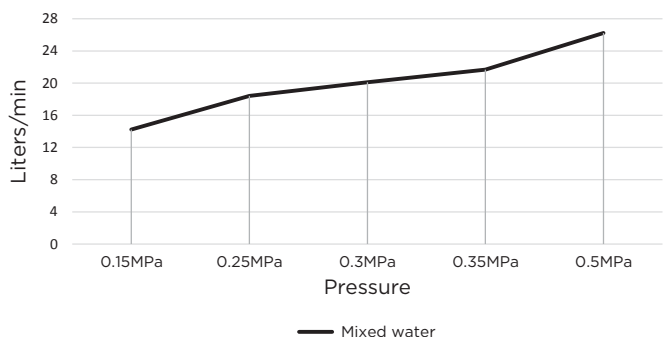
SPECIFICATIONS



TOLERANCES



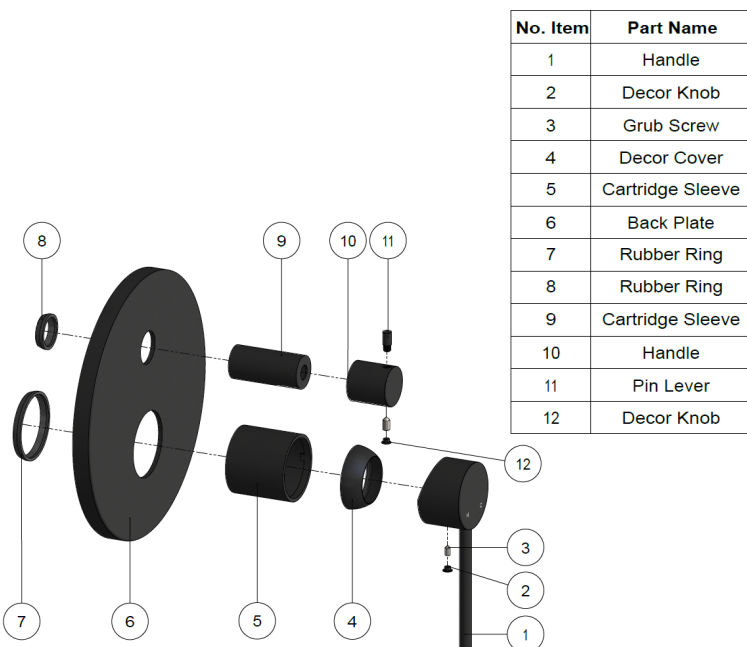
FLOW RATE GRAPH



CREDENTIALS

- Watermark AS/NZS 3718WMKA25013

EXPLODED VIEW



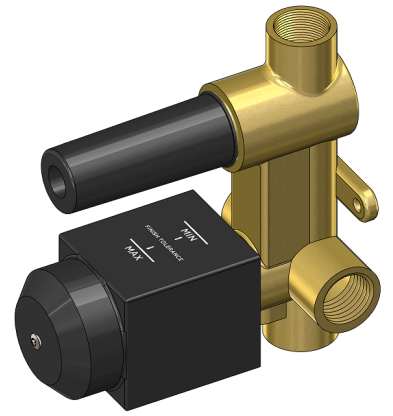
MW27BDY

WALL DIVERTER CONCEALED PART

meir®

BRASS
MW27BDY

AVAILABLE
FINISHES



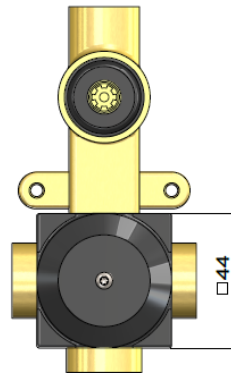
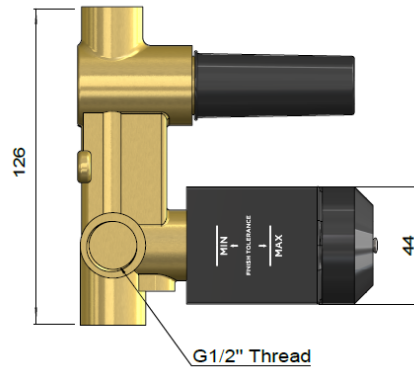
FEATURES

- 10 Year warranty
- Flow rate 18L p/m
- European components and cartridge
- Reinforced rubber seal and lining
- Solid brass construction

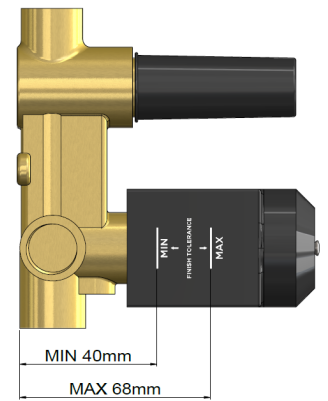
CARE

- Do not install tapware using any form of acetone silicones.
- Do not apply physical items (such as tools) directly to product.
- Never use house-hold or commercial detergents, citrus based cleaners, or abrasive cleaners.
- Clean using a mild washing soap solution rinsed, and dry with a soft cloth.
- Check for any product defects before installation.
- Refer to the installation manual for correct installation.

SPECIFICATIONS

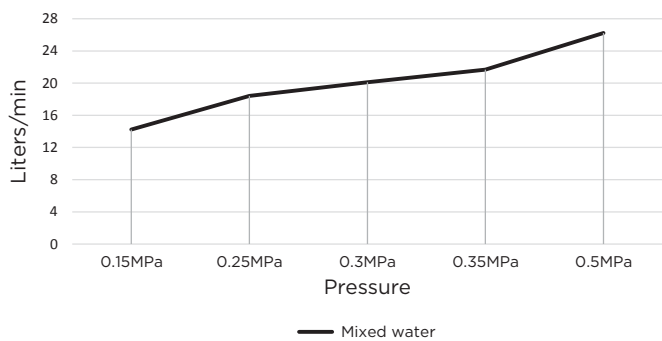


TOLERANCES



WALL FINISH TOLERANCE

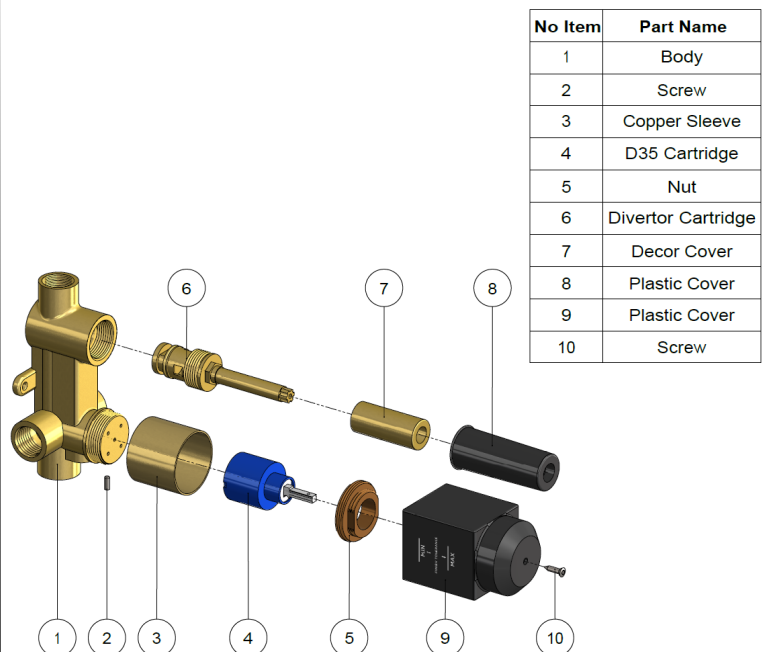
FLOW RATE GRAPH



CREDENTIALS

- Watermark AS/NZS 3718WMKA25013

EXPLODED VIEW



MZ0402-R

HAND SHOWER RAIL



meir®

MATTE BLACK
MZ0402-R

CHROME
MZ0402-R-C

CHAMPAGNE
MZ0402-R-CH

TIGER BRONZE
MZ0402-R-BB

BRUSHED NICKEL
MZ0402-R-PVDBN

AVAILABLE FINISHES

FEATURES

- 10 Year warranty
- Flow rate 6 L p/m
- European components and cartridge
- Solid brass construction
- Box Weight 2 kg
- 68mm long 1/2" threaded adapter included

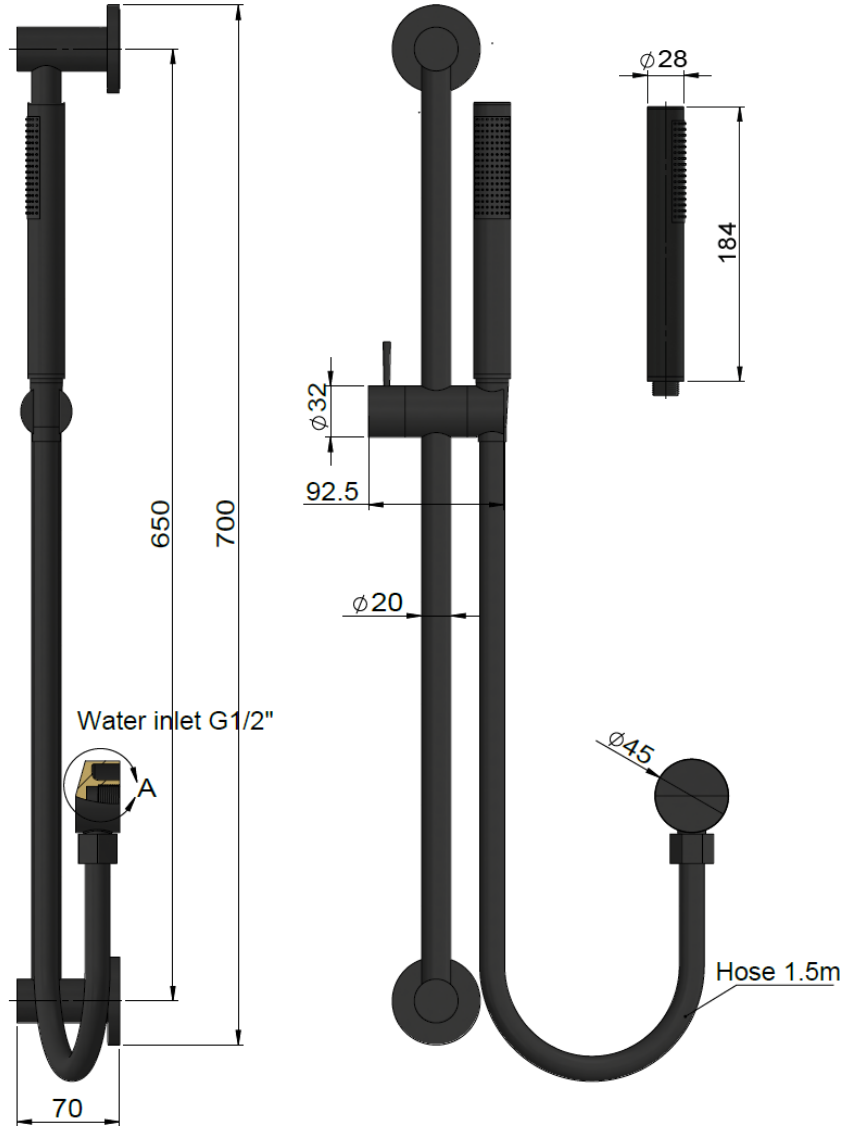
CARE

- Do not install tapware using any form of acetone silicones.
- Do not apply physical items (such as tools) directly to product.
- Never use house-hold or commercial detergents, citrus based cleaners, or abrasive cleaners.
- Clean using a mild washing soap solution rinsed, and dry with a soft cloth.
- Check for any product defects before installation.
- Refer to the installation manual for correct installation.

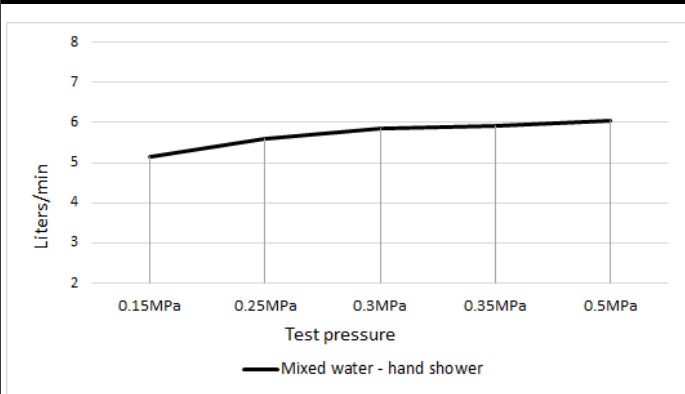
CREDENTIALS

- Watermark AS/NZS3718WMKA25013
- Wels Rated 3 Star

SPECIFICATIONS

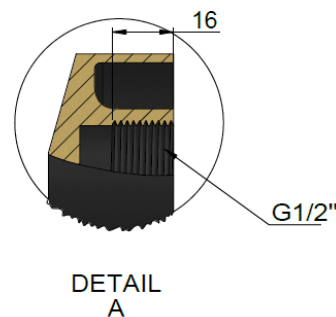


FLOW RATE GRAPH



TOLERANCES

Max thread depth

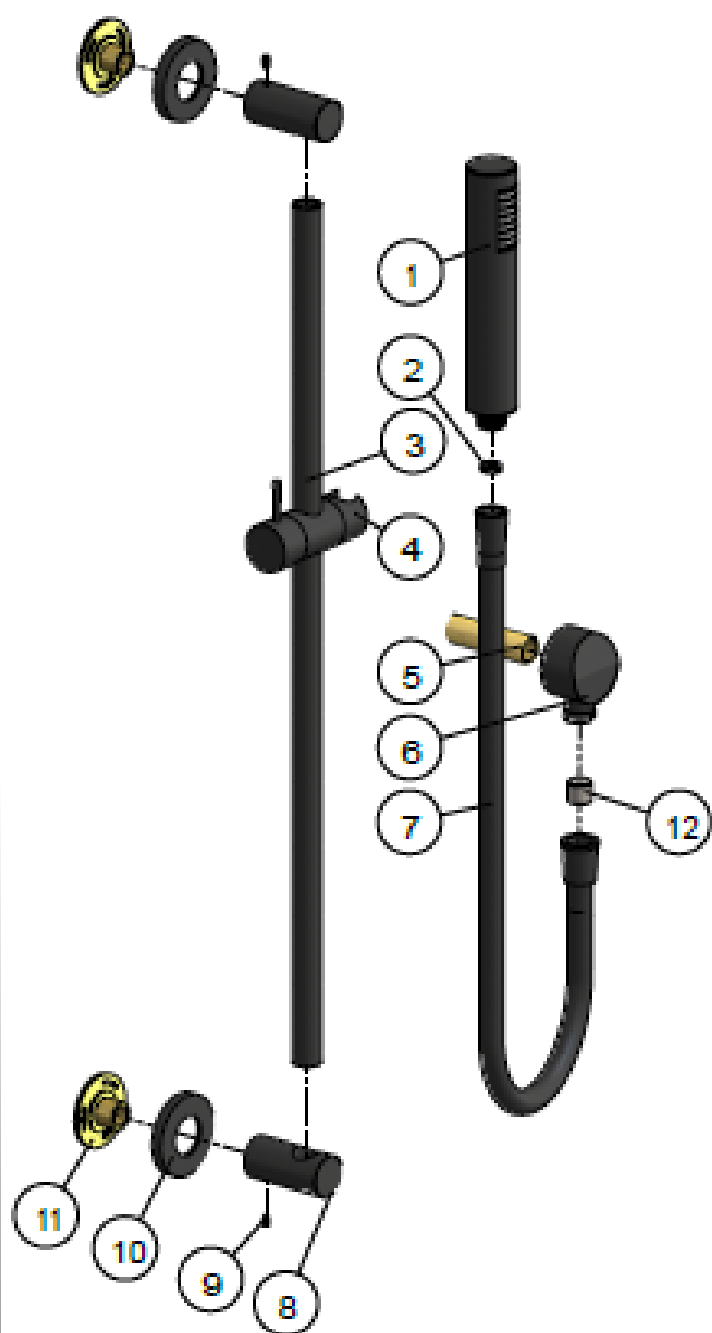


MZ0402-R

HAND SHOWER RAIL

meir®

EXPLODED VIEW



No	Part Name
1	Hand Shower
2	Flow Controller
3	Shower Rail
4	Shower Bracket
5	Threaded Adapter
6	Elbow
7	Shower Hose
8	Base
9	Screw
10	Back Plate
11	Mounting Base
12	Check Valve