

# MA07-150

## CEILING SHOWER ARM



meir®

MATTE BLACK  
MA07-150

CHROME  
MA07-150-C

CHAMPAGNE  
MA07-150-CH

TIGER  
BRONZE  
MA07-150-BB

BRUSHED  
NICKEL  
MA07-150-  
-PVDBN

AVAILABLE  
FINISHES

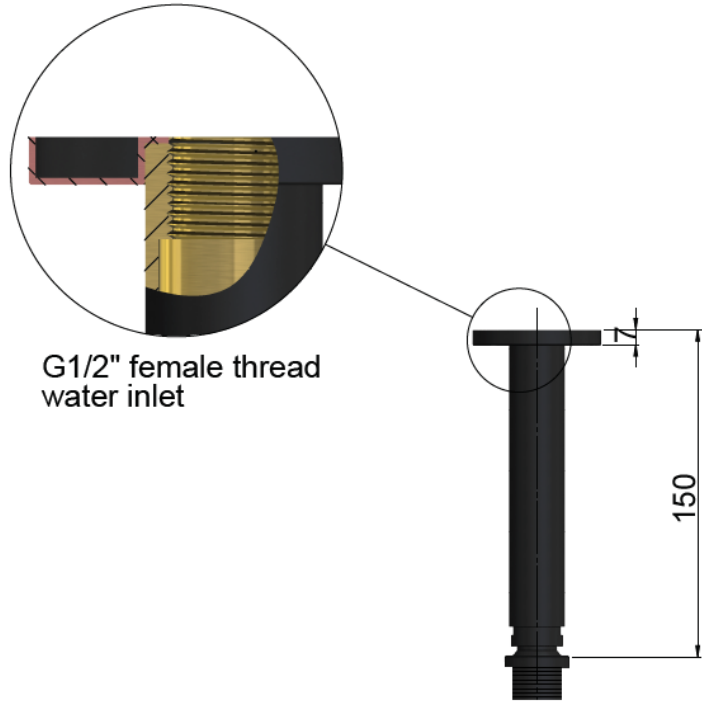
### FEATURES

- 10 Year warranty
- Solid brass construction
- Box Weight 0.5kg
- 68mm long 1/2" threaded adapter included

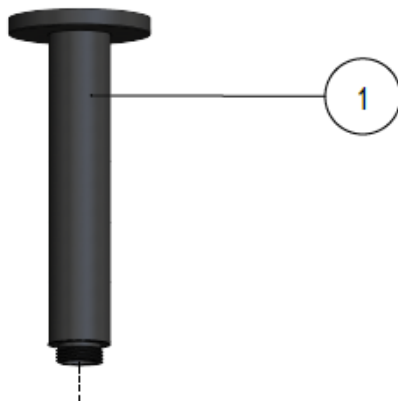
### CARE

- Do not install tapware using any form of acetone silicones.
- Do not apply physical items (such as tools) directly to product.
- Never use house-hold or commercial detergents, citrus based cleaners, or abrasive cleaners.
- Clean using a mild washing soap solution rinsed, and dry with a soft cloth.
- Check for any product defects before installation.
- Refer to the installation manual for correct installation.

### SPECIFICATIONS



### EXPLODED VIEW



No.	Part Name
1	Ceiling Arm

# MA07-300

## CEILING SHOWER ARM



# meir®

**MATTE BLACK**  
MA07-300

**CHROME**  
MA07-300-C

**CHAMPAGNE**  
MA07-300-CH

**TIGER  
BRONZE**  
MA07-300-BB

**BRUSHED  
NICKEL**  
MA07-300-  
-PVDBN

**AVAILABLE  
FINISHES**

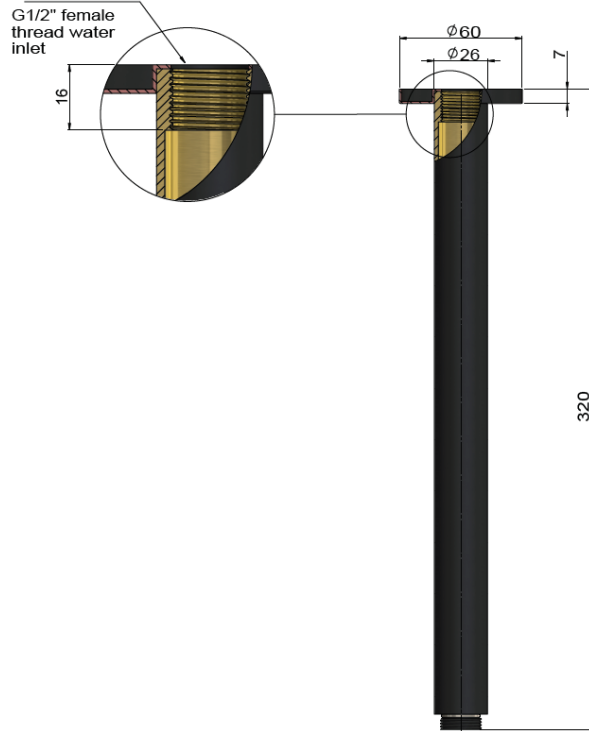
### FEATURES

- 10 Year warranty
- Solid brass construction
- Box Weight 0.6kg
- 68mm long 1/2" threaded adapter included

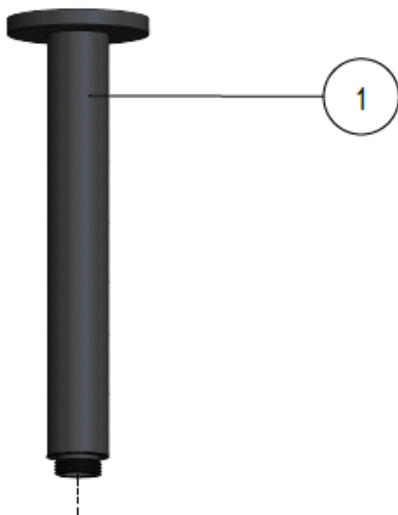
### CARE

- Do not install tapware using any form of acetone silicones.
- Do not apply physical items (such as tools) directly to product.
- Never use house-hold or commercial detergents, citrus based cleaners, or abrasive cleaners.
- Clean using a mild washing soap solution rinsed, and dry with a soft cloth.
- Check for any product defects before installation.
- Refer to the installation manual for correct installation.

### SPECIFICATIONS



### EXPLODED VIEW



No.	Part Name
1	Ceiling Arm

# MH04 SHOWER ROSE

# meir®

**MATTE BLACK**  
MH04

**CHROME**  
MH04-C

**CHAMPAGNE**  
MH04-CH

**TIGER  
BRONZE**  
MH04-BB

**BRUSHED  
NICKEL**  
MH04-PVDBN

**AVAILABLE  
FINISHES**



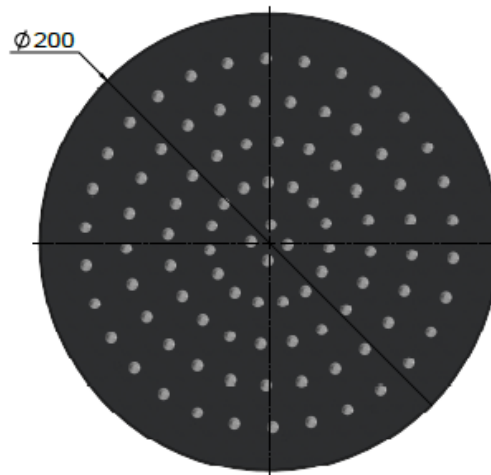
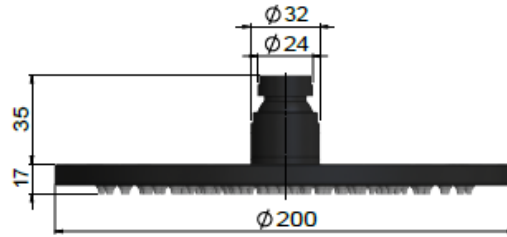
## FEATURES

- 10 Year warranty
- Flow rate 9L p/m
- Solid brass construction
- Box Weight 1.1 Kg

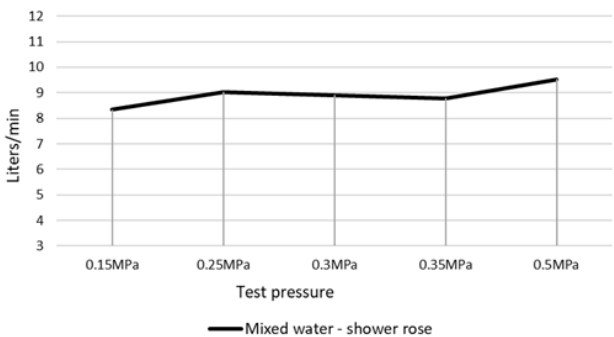
## CARE

- Do not install tapware using any form of acetone silicones.
- Do not apply physical items (such as tools) directly to product.
- Never use house-hold or commercial detergents, citrus based cleaners, or abrasive cleaners.
- Clean using a mild washing soap solution rinsed, and dry with a soft cloth.
- Check for any product defects before installation.
- Refer to the installation manual for correct installation.

## SPECIFICATIONS



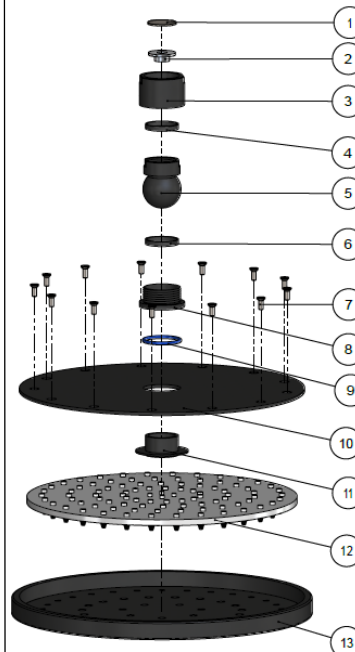
## FLOW RATE GRAPH



## CREDENTIALS

- Watermark AS/NZS3718WMKA25013
- Wels Rated 3 Star

## EXPLODED VIEW



No.	Part Name
1	Strainer
2	Flow Controller
3	Nut
4	Wearing Ring
5	Universal Ball
6	Wearing Ring
7	Screw
8	Connet Nut
9	O-ring
10	Cover Plate
11	Connector
12	Rubber Gasket
13	Plate

# MH05 SHOWER ROSE

# meir®

**MATTE BLACK**  
MH05

**CHROME**  
MH05-C

**CHAMPAGNE**  
MH05-CH

**TIGER  
BRONZE**  
MH05-BB

**BRUSHED  
NICKEL**  
MH05-PVDBN

**AVAILABLE  
FINISHES**



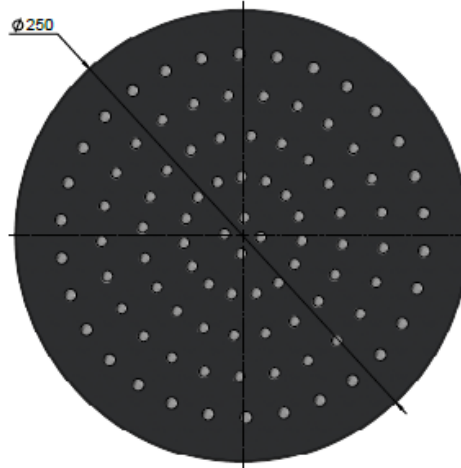
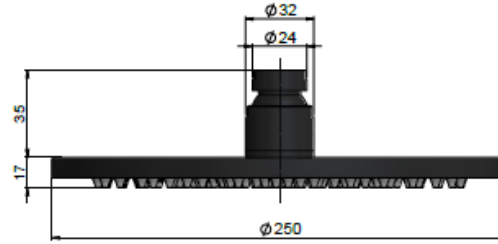
## FEATURES

- 10 Year warranty
- Flow rate 9L p/m
- Solid brass construction
- Box Weight 1.4 Kg

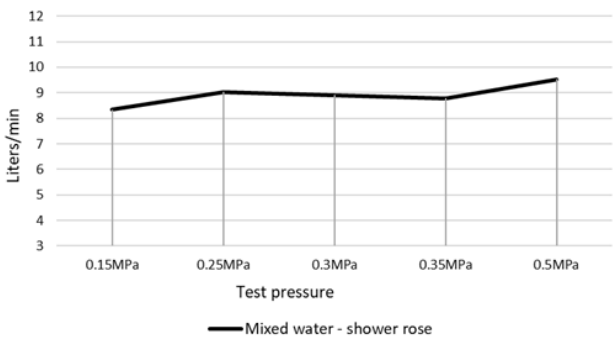
## CARE

- Do not install tapware using any form of acetone silicones.
- Do not apply physical items (such as tools) directly to product.
- Never use house-hold or commercial detergents, citrus based cleaners, or abrasive cleaners.
- Clean using a mild washing soap solution rinsed, and dry with a soft cloth.
- Check for any product defects before installation.
- Refer to the installation manual for correct installation.

## SPECIFICATIONS



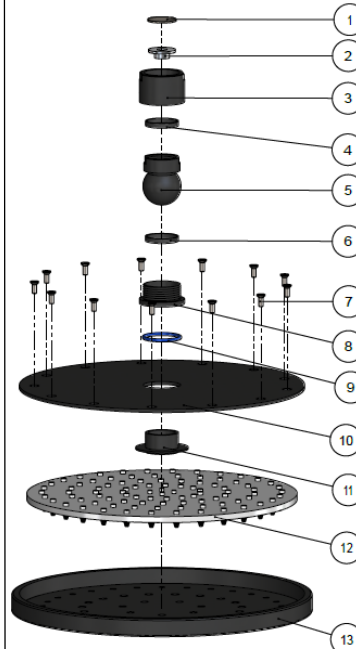
## FLOW RATE GRAPH



## CREDENTIALS

- Watermark AS/NZS3718WMKA25013
- Wels Rated 3 Star

## EXPLODED VIEW



No.	Part Name
1	Strainer
2	Flow Controller
3	Nut
4	Wearing Ring
5	Universal Ball
6	Wearing Ring
7	Screw
8	Connet Nut
9	O-ring
10	Cover Plate
11	Connector
12	Rubber Gasket
13	Plate

# MH06

## SHOWER ROSE

# meir®

**MATTE BLACK**  
MH06

**CHROME**  
MH06-C

**CHAMPAGNE**  
MH06-CH

**TIGER  
BRONZE**  
MH06-BB

**BRUSHED  
NICKEL**  
MH06-PVDBN

**AVAILABLE  
FINISHES**



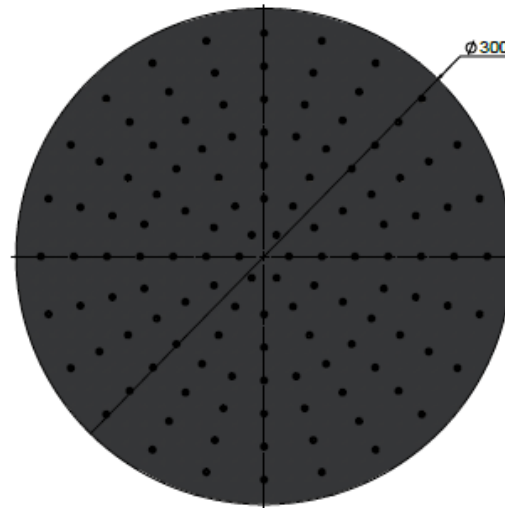
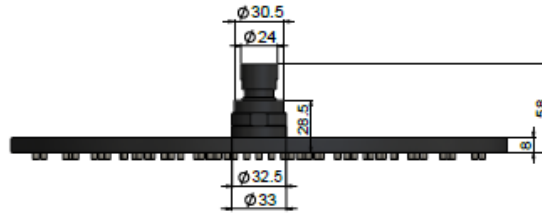
### FEATURES

- 10 Year warranty
- Flow rate 9L p/m
- Solid Brass construction
- Box Weight 2.0 Kg

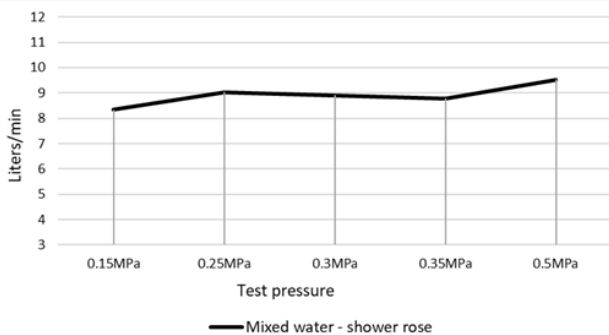
### CARE

- Do not install tapware using any form of acetone silicones.
- Do not apply physical items (such as tools) directly to product.
- Never use house-hold or commercial detergents, citrus based cleaners, or abrasive cleaners.
- Clean using a mild washing soap solution rinsed, and dry with a soft cloth.
- Check for any product defects before installation.
- Refer to the installation manual for correct installation.

### SPECIFICATIONS



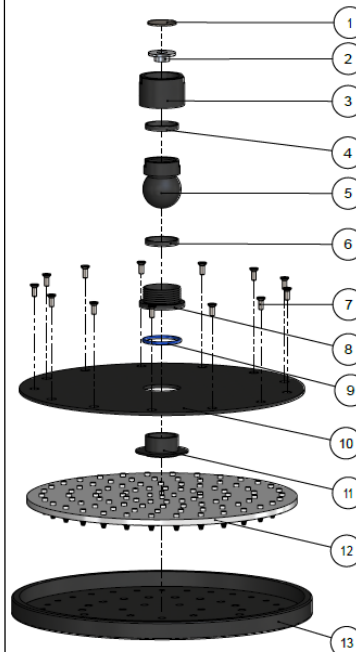
### FLOW RATE GRAPH



### CREDENTIALS

- Watermark AS/NZS3718WMKA25013
- Wels Rated 3 Star

### EXPLODED VIEW



No.	Part Name
1	Strainer
2	Flow Controller
3	Nut
4	Wearing Ring
5	Universal Ball
6	Wearing Ring
7	Screw
8	Connet Nut
9	O-ring
10	Cover Plate
11	Connector
12	Rubber Gasket
13	Plate

# MTV22 & MTV02

## ROUND THERMOSTATIC MIXER 2-way

meir®

MATTE BLACK  
MTV22

CHROME  
MTV22-C

CHAMPAGNE  
MTV22-CH

TIGER  
BRONZE  
MTV22-BB

BRUSHED  
NICKEL  
MTV22-PVDBN

AVAILABLE  
FINISHES



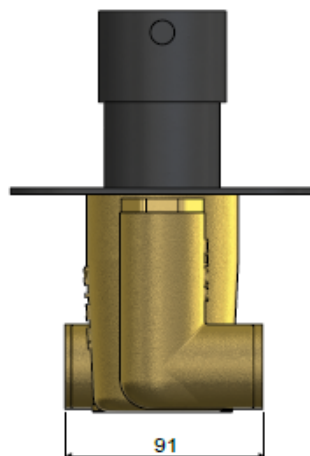
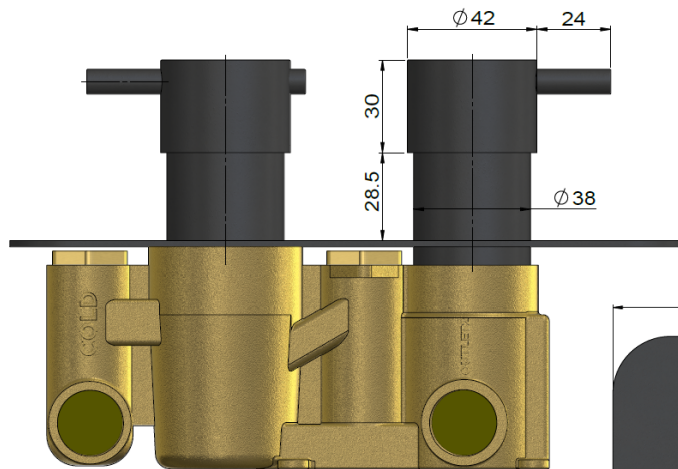
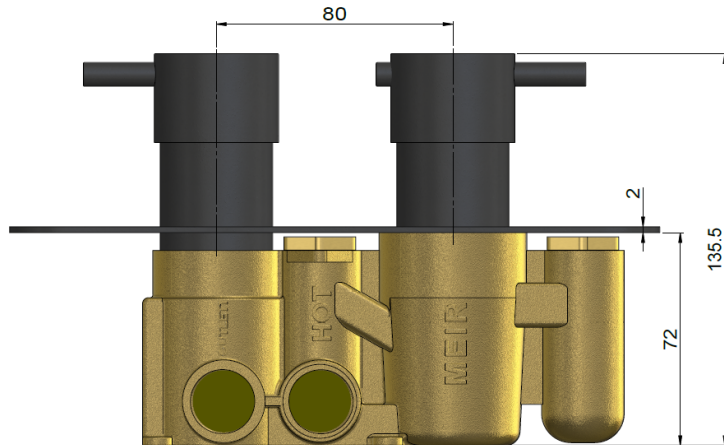
### FEATURES

- 10 Year Warranty
- Flow rate 30L p/m at 3 bar.  
Flow rate 17L p/m at 1 bar.  
Recommended for water pressure above 0.5 bar.
- Box weight 0.95kg
- Vernet thermostatic cartridge
- Anti-scalding protection
- Temperature over-ride button
- 1-Way Fluhs diverter
- High low-pressure flow rate
- Solid Brass Construction
- Used together with the MTV02 body part.(2.3kg)

### CARE

- Do not install tapware using any form of acetone silicones.
- Do not apply physical items (such as tools) directly to product.
- Never use house-hold or commercial detergents, citrus based cleaners, or abrasive cleaners.
- Clean using a mild washing soap solution rinsed, and dry with a soft cloth.
- Check for any product defects before installation.
- Refer to the installation manual for correct installation.

### SPECIFICATIONS

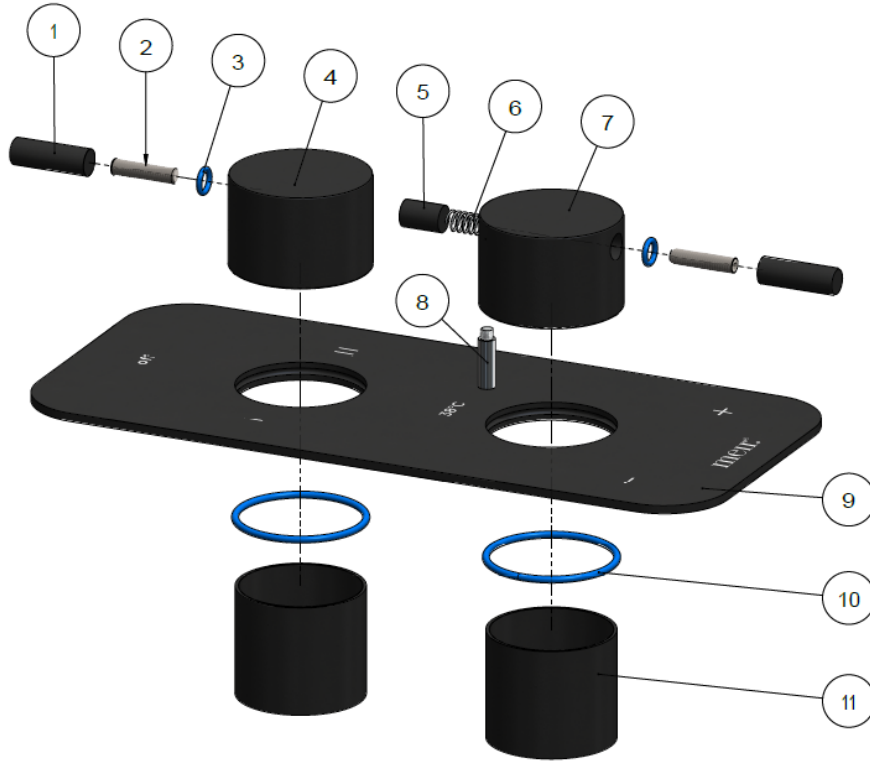


Australian installers to visit the below website before working on the thermostatic mixer valve:  
<https://www.vba.vic.gov.au/plumbing/registrations-licences/thermostatic-mixing-valve>

# MTV22

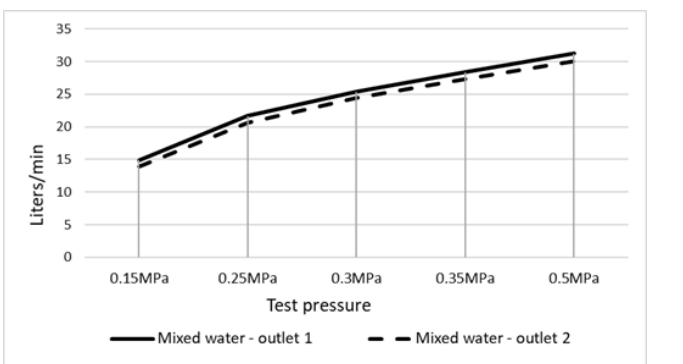
## ROUND THERMOSTATIC MIXER 2-way

### EXPLODED VIEW



No.	Part Name
1	Pin Lever
2	Screw
3	O-ring
4	Handle
5	Button
6	Spring
7	Handle
8	Positioning Pin
9	Back Plate
10	O-ring
11	Copper Sleeve

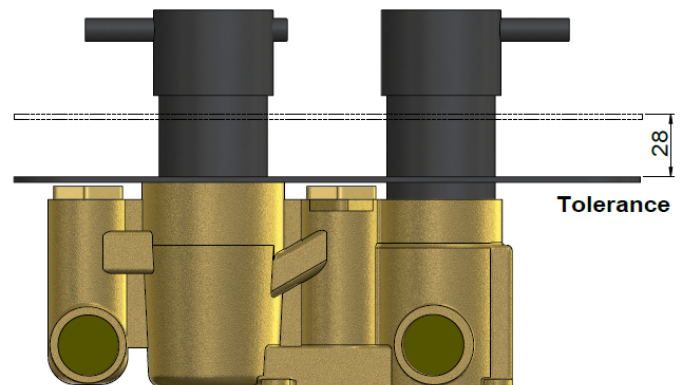
### FLOW RATE GRAPH



### CREDENTIALS

- Applying for WRAS

### TOLERANCES



# MZ06-R HAND SHOWER



# meir®

**MATTE BLACK**  
MZ06-R

**CHROME**  
MZ06-R-C

**CHAMPAGNE**  
MZ06-R-CH

**TIGER  
BRONZE**  
MZ06-R-BB

**BRUSHED  
NICKEL**  
MZ06-R  
-PVDBN

**AVAILABLE  
FINISHES**

## FEATURES

- 10 Year warranty
- Flow rate **6 L p/m**
- Solid brass construction
- Box Weight **1.06 kg**
- 68mm long 1/2" threaded adapter included

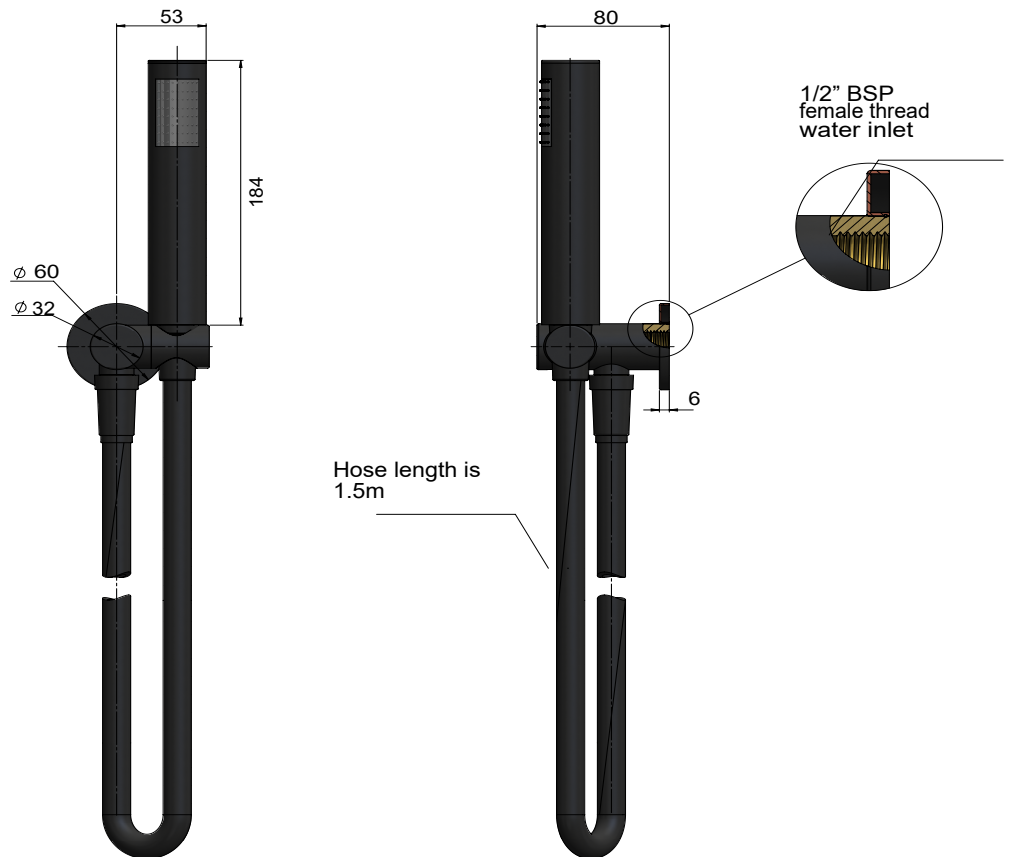
## CARE

- Do not install tapware using any form of acetone silicones.
- Do not apply physical items (such as tools) directly to product.
- Never use house-hold or commercial detergents, citrus based cleaners, or abrasive cleaners.
- Clean using a mild washing soap solution rinsed, and dry with a soft cloth.
- Check for any product defects before installation.
- Refer to the installation manual for correct installation.

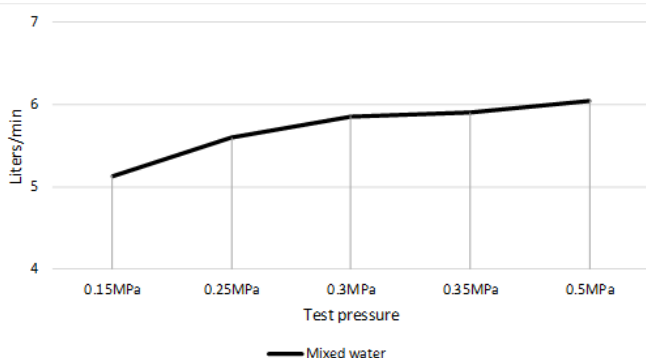
## CREDENTIALS

- Watermark AS/NZS3718WMKA25013
- Wels Rated 3 Star

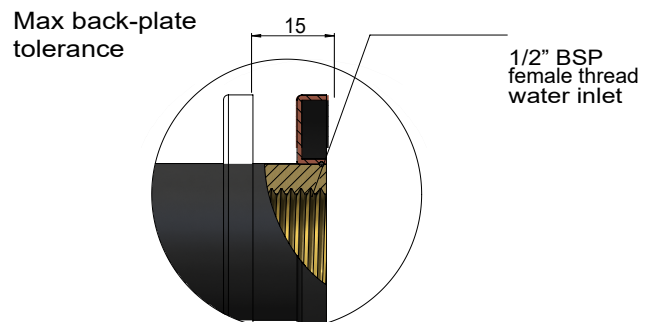
## SPECIFICATIONS



## FLOW RATE GRAPH



## TOLERANCES





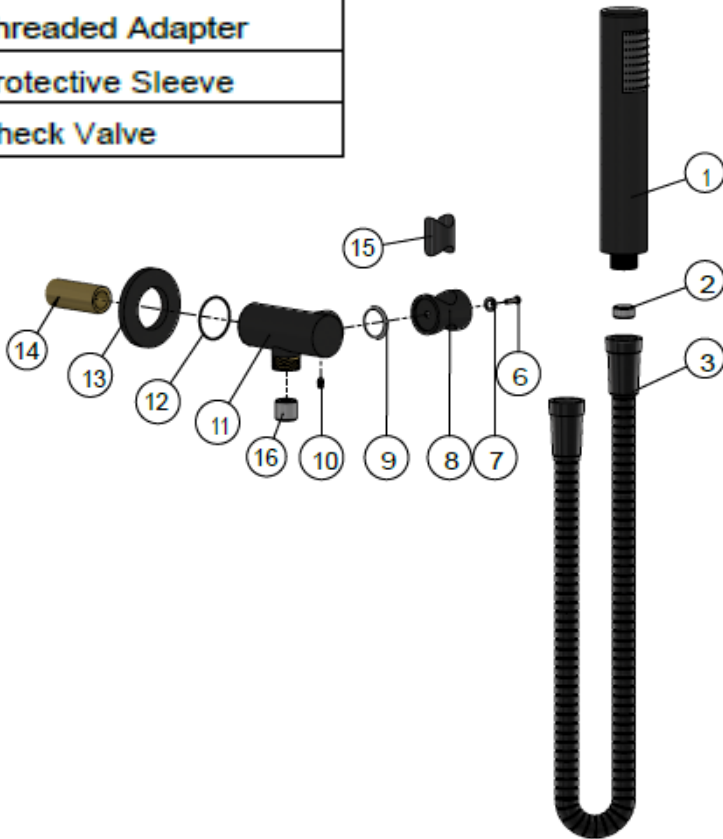
# MZ06-R

## HAND SHOWER

meir®

### EXPLODED VIEW

NO.	Part Number
1	Handle Shower
2	Water Flow Controller
3	Shower Hose
6	Screw
7	Wear Ring
8	Bracket
9	Wear Ring
10	Screw
11	Bracket Base
12	O-Ring
13	Back Plate
14	Threaded Adapter
15	Protective Sleeve
16	Check Valve



NOTE: The hose end caps of parts (3,6) are made from a special hardened plastic to prevent the brass mount (8) from scratching.