

MZ0402-R

HAND SHOWER RAIL



meir®

MATTE BLACK
MZ0402-R

CHROME
MZ0402-R-C

CHAMPAGNE
MZ0402-R-CH

**TIGER
BRONZE**
MZ0402-R-BB

**BRUSHED
NICKEL**
MZ0402-R-
-PVDBN

**AVAILABLE
FINISHES**

FEATURES

- 10 Year warranty
- Flow rate 6 L p/m
- European components and cartridge
- Solid brass construction
- Box Weight 2 kg
- 68mm long 1/2" threaded adapter included

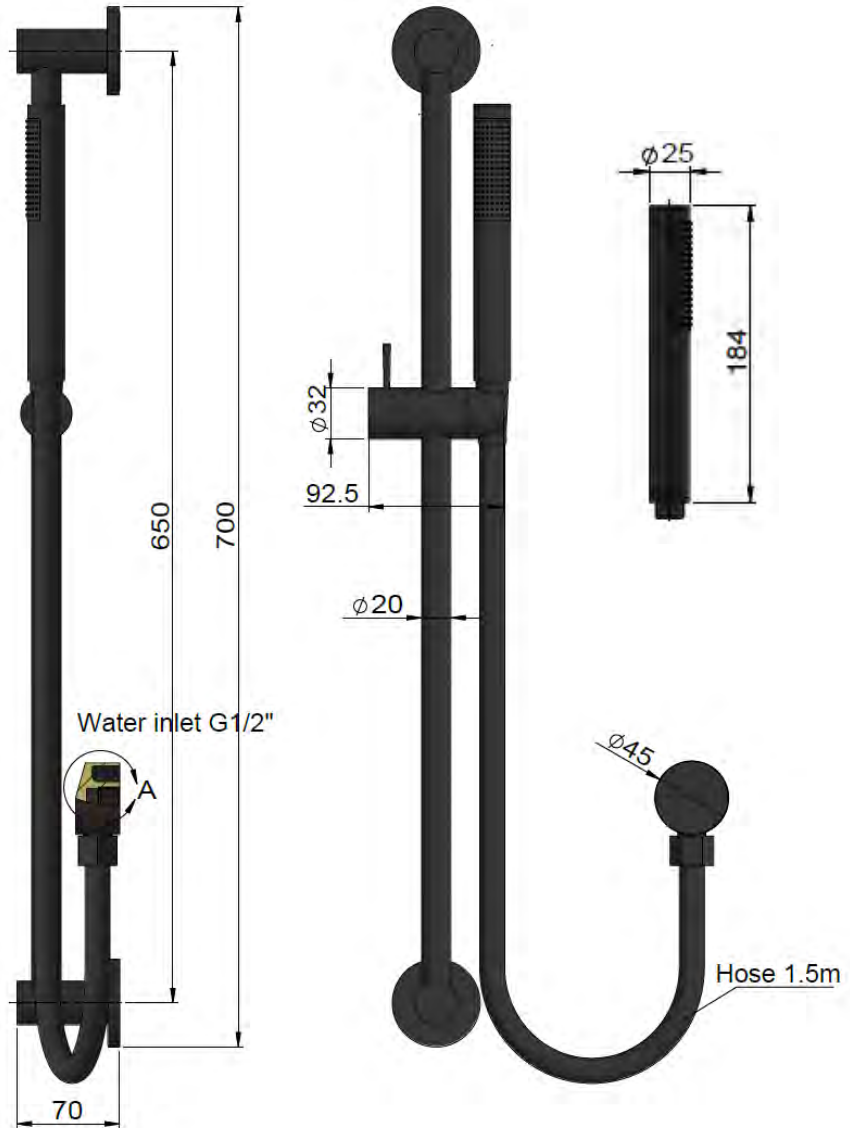
CARE

- Do not install tapware using any form of acetone silicones.
- Do not apply physical items (such as tools) directly to product.
- Never use house-hold or commercial detergents, citrus based cleaners, or abrasive cleaners.
- Clean using a mild washing soap solution rinsed, and dry with a soft cloth.
- Check for any product defects before installation.
- Refer to the installation manual for correct installation.

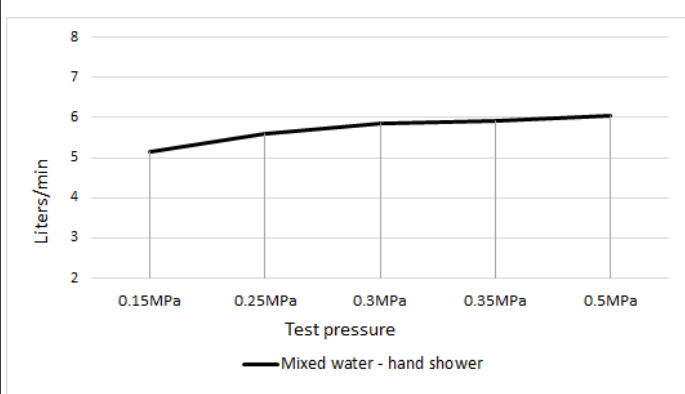
CREDENTIALS

- Watermark AS/NZS3718WMKA25013
- Wels Rated 3 Star

SPECIFICATIONS

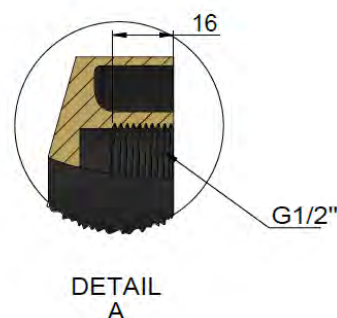


FLOW RATE GRAPH



TOLERANCES

Max thread depth



MZ0402-R

HAND SHOWER RAIL

meir®

EXPLODED VIEW



No	Part Name
1	Cover
2	Fixed Block
3	Body
4	Spray Plate
5	Controller
6	Shower Hose
7	Elbow
8	Base
9	Screw
10	Fixed Seat
11	Base
12	Handle Shower
13	Shower Rail

MW03S-FIN

WALL MIXER FINISH KIT

meir®

MATTE BLACK
MW03S-FIN

CHROME
MW03S-FIN-C

CHAMPAGNE
MW03S-FIN-CH

TIGER BRONZE
MW03S-FIN-BB

BRUSHED NICKEL
MW03S-FIN-PVDBN

AVAILABLE FINISHES



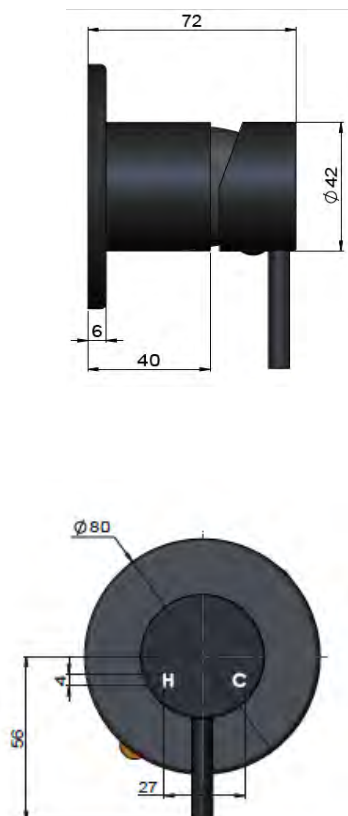
FEATURES

- 10 Year warranty
- Flow rate 18L p/m
- European components and cartridge
- Reinforced rubber seal and lining
- Solid brass construction
- Box Weight 1 Kg

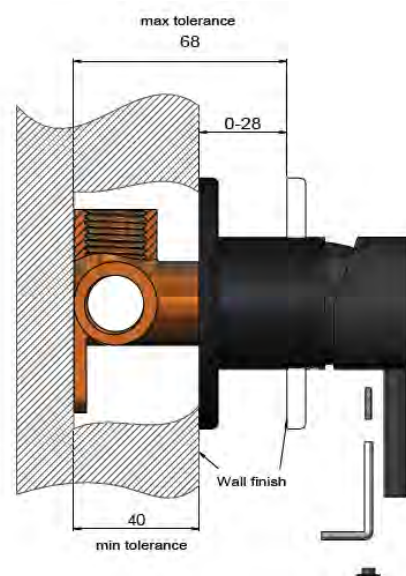
CARE

- Do not install tapware using any form of acetone silicones.
- Do not apply physical items (such as tools) directly to product.
- Never use house-hold or commercial detergents, citrus based cleaners, or abrasive cleaners.
- Clean using a mild washing soap solution rinsed, and dry with a soft cloth.
- Check for any product defects before installation.
- Refer to the installation manual for correct installation.

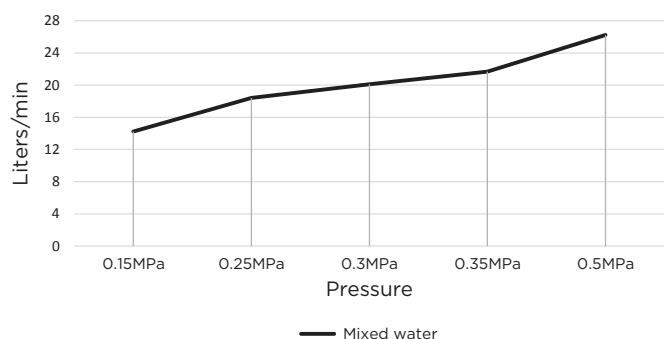
SPECIFICATIONS



TOLERANCES



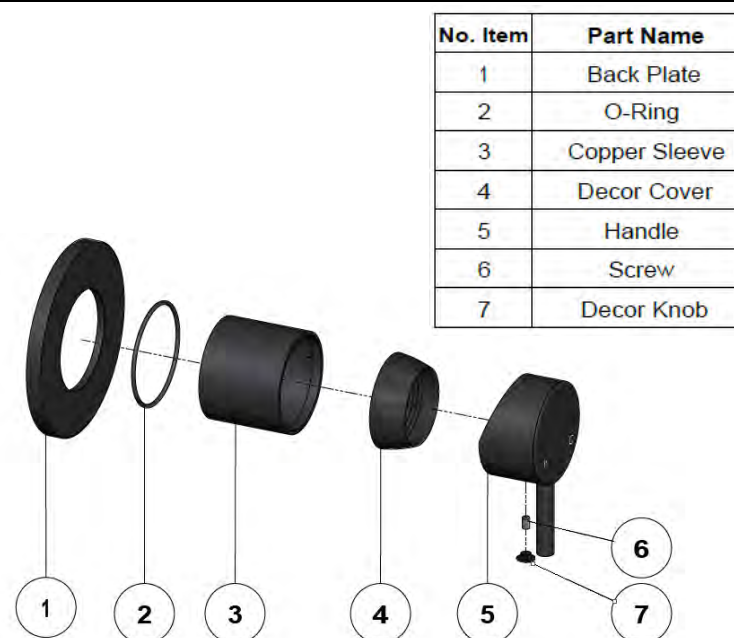
FLOW RATE GRAPH



CREDENTIALS

- Watermark AS/NZS 3718WMKA25013

EXPLODED VIEW



MW03-FIN

WALL MIXER FINISH KIT

meir®

MATTE BLACK
MW03-FIN

CHROME
MW03-FIN-C

CHAMPAGNE
MW03-FIN-CH

**TIGER
BRONZE**
MW03-FIN
-BB

**BRUSHED
NICKEL**
MW03-FIN
-PVDBN

**AVAILABLE
FINISHES**



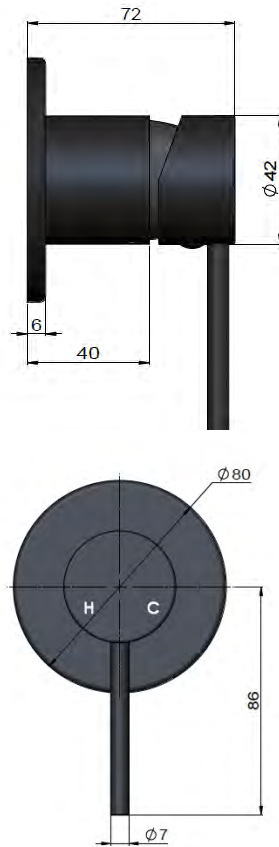
FEATURES

- 10 Year warranty
- Flow rate 18L p/m
- European components and cartridge
- Reinforced rubber seal and lining
- Solid brass construction
- Box Weight 1 Kg

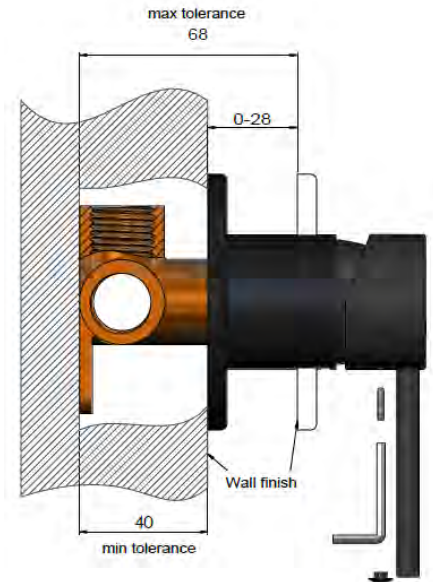
CARE

- Do not install tapware using any form of acetone silicones.
- Do not apply physical items (such as tools) directly to product.
- Never use house-hold or commercial detergents, citrus based cleaners, or abrasive cleaners.
- Clean using a mild washing soap solution rinsed, and dry with a soft cloth.
- Check for any product defects before installation.
- Refer to the installation manual for correct installation.

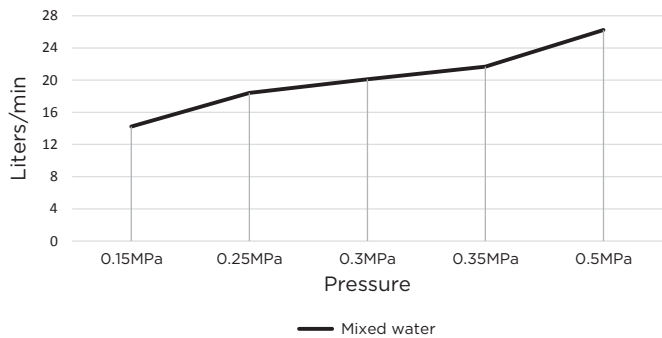
SPECIFICATIONS



TOLERANCES



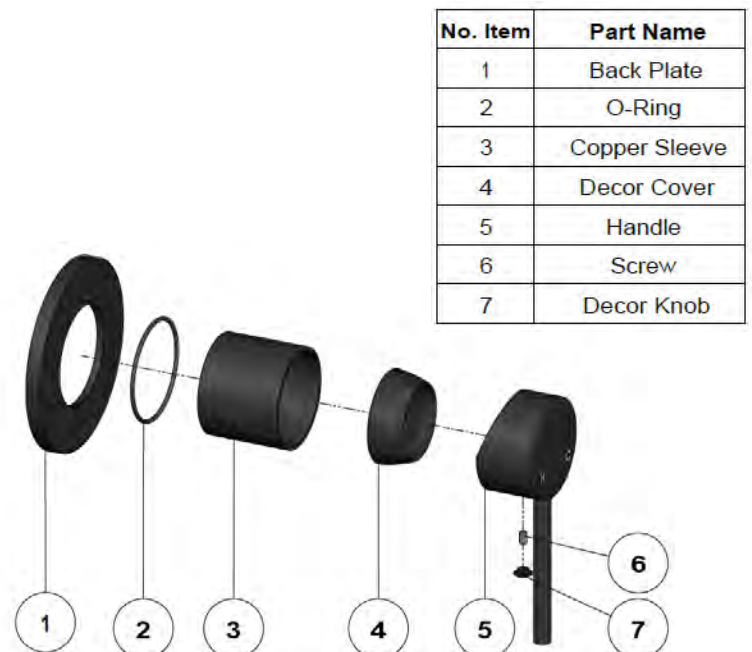
FLOW RATE GRAPH



CREDENTIALS

- Watermark AS/NZS 3718WMKA25013

EXPLODED VIEW



MW13BDY

WALL MIXER CONCEALED BODY



meir®

BRASS
MW13BDY

AVAILABLE
FINISHES

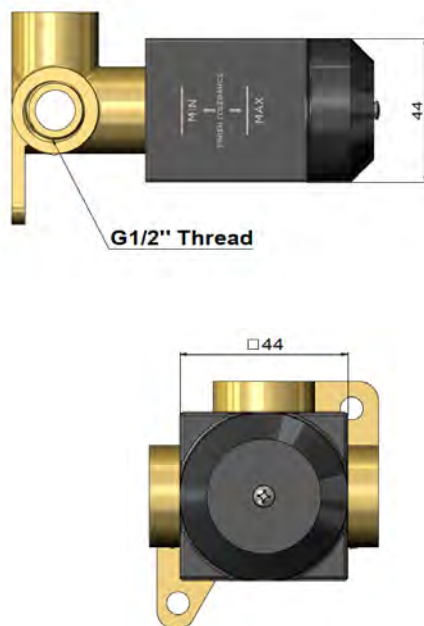
FEATURES

- 10 Year warranty
- Flow rate 18L p/m
- European components and cartridge
- Reinforced rubber seal and lining
- Solid brass construction

CARE

- Do not install tapware using any form of acetone silicones.
- Do not apply physical items (such as tools) directly to product.
- Never use house-hold or commercial detergents, citrus based cleaners, or abrasive cleaners.
- Clean using a mild washing soap solution rinsed, and dry with a soft cloth.
- Check for any product defects before installation.
- Refer to the installation manual for correct installation.

SPECIFICATIONS

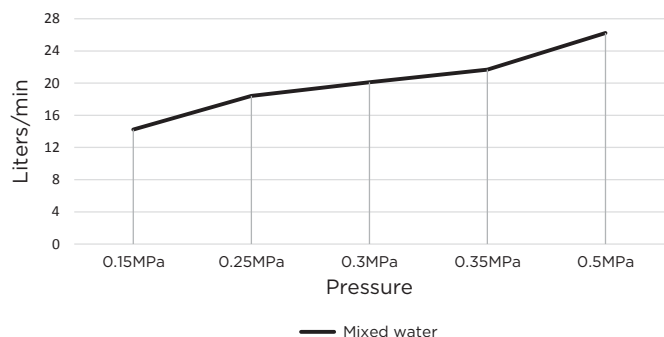


TOLERANCES



WALL FINISH TOLERANCE

FLOW RATE GRAPH



CREDENTIALS

- Watermark AS/NZS 3718WMKA25013

EXPLODED VIEW

