

MA0102-400

WALL SHOWER ROSE



meir®

MATTE BLACK
MA0102-400

CHROME
MA0102-400-C

CHAMPAGNE
MA0102-400-CH

**TIGER
BRONZE**
MA0102-400-BB

**AVAILABLE
FINISHES**

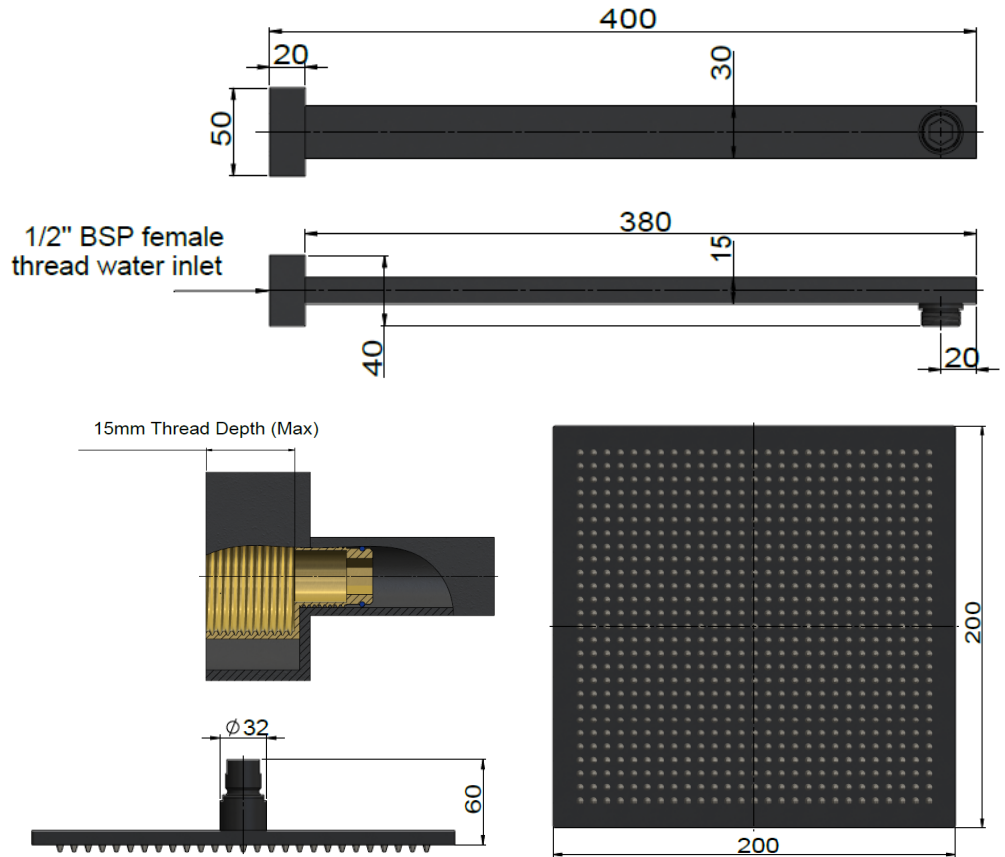
FEATURES

- 10 Year warranty
- Flow rate 8L p/m
- European components and cartridge
- Solid brass construction
- Box Weight **2.3**kg
- 68mm long 1/2" threaded adapter included

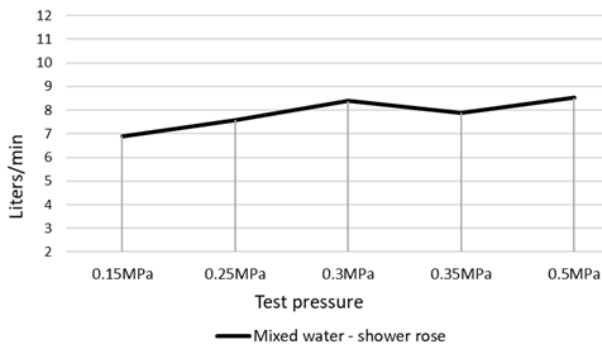
CARE

- Do not install tapware using any form of acetone silicones.
- Do not apply physical items (such as tools) directly to product.
- Never use house-hold or commercial detergents, citrus based cleaners, or abrasive cleaners.
- Clean using a mild washing soap solution rinsed, and dry with a soft cloth.
- Check for any product defects before installation.
- Refer to the installation manual for correct installation.

SPECIFICATIONS



FLOW RATE GRAPH

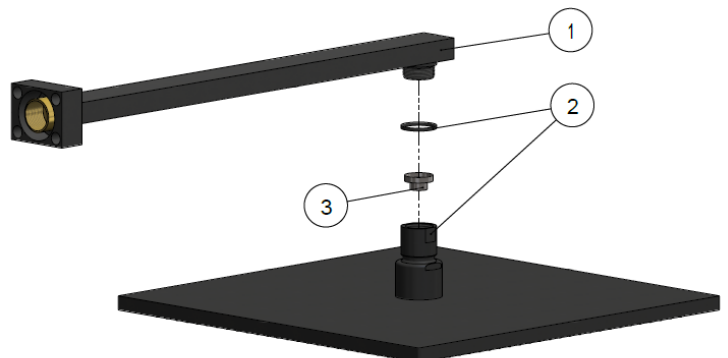


CREDENTIALS

- Watermark AS/NZS3718WMKA25013
- 3 Star WELS rated

EXPLODED VIEW

No.	Part Name
1	Spout
2	Shower Rose
3	Flow Controller



MA0103

WALL SHOWER ROSE

meir®



MATTE BLACK
MA0103

CHROME
MA0103-C

CHAMPAGNE
MA0103-CH

TIGER
BRONZE
MA0103-BB

AVAILABLE
FINISHES

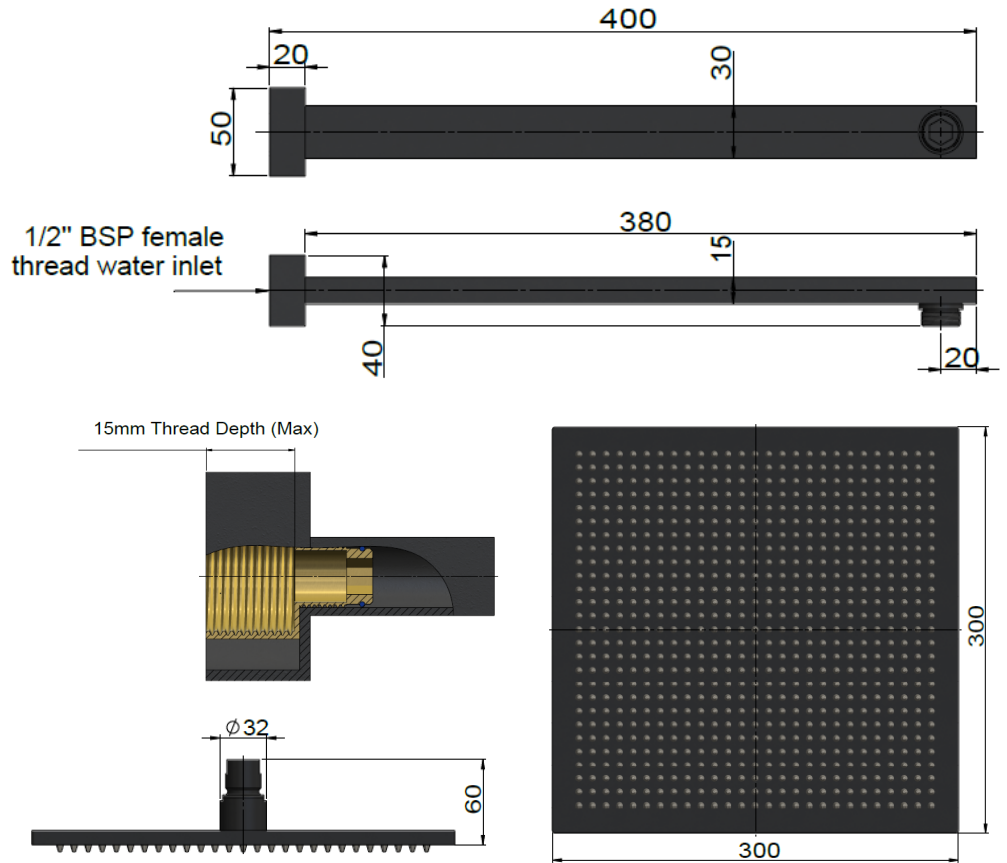
FEATURES

- 10 Year warranty
- Flow rate 9L p/m
- European components and cartridge
- Solid brass construction
- Box Weight 3.1 kg
- 68mm long 1/2" threaded adapter included

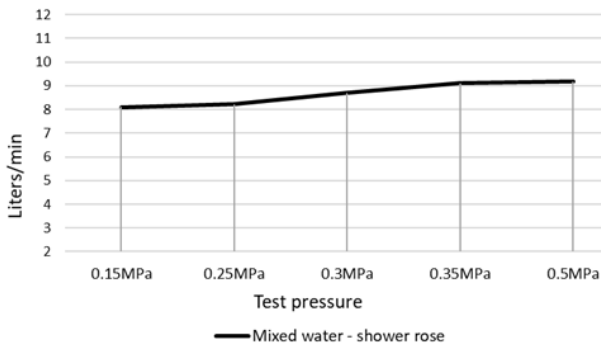
CARE

- Do not install tapware using any form of acetone silicones.
- Do not apply physical items (such as tools) directly to product.
- Never use house-hold or commercial detergents, citrus based cleaners, or abrasive cleaners.
- Clean using a mild washing soap solution rinsed, and dry with a soft cloth.
- Check for any product defects before installation.
- Refer to the installation manual for correct installation.

SPECIFICATIONS



FLOW RATE GRAPH

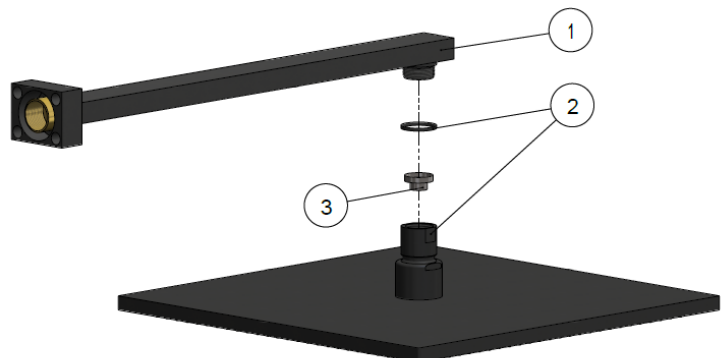


CREDENTIALS

- Watermark AS/NZS3718WMKA25013
- 3 Star WELS rated

EXPLODED VIEW

No.	Part Name
1	Spout
2	Shower Rose
3	Flow Controller



MW01 WALL MIXER

meir®

MATTE BLACK
MW01

AVAILABLE
FINISH

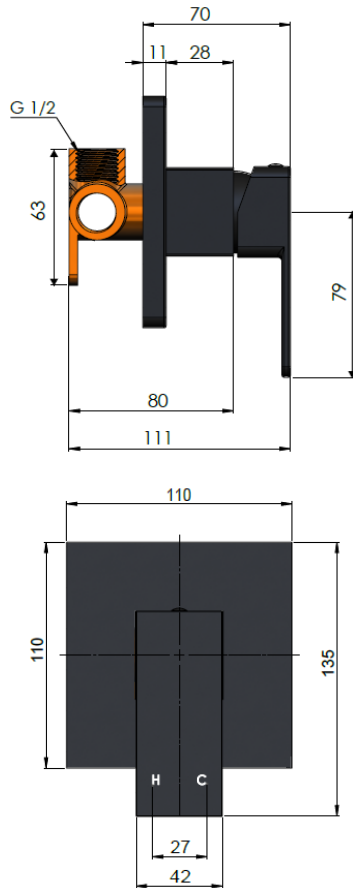
FEATURES

- 10 Year warranty
- Flow rate 18L p/m
- European components and cartridge
- Reinforced rubber seal and lining
- Solid brass construction
- Box Weight 1.36 Kg

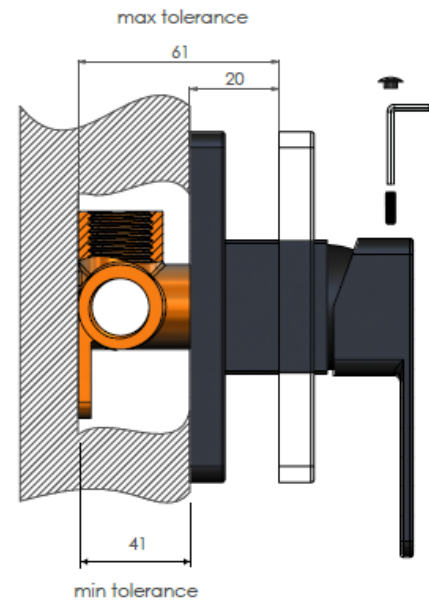
CARE

- Do not install tapware using any form of acetone silicones.
- Do not apply physical items (such as tools) directly to product.
- Never use house-hold or commercial detergents, citrus based cleaners, or abrasive cleaners.
- Clean using a mild washing soap solution rinsed, and dry with a soft cloth.
- Check for any product defects before installation.
- Refer to the installation manual for correct installation.

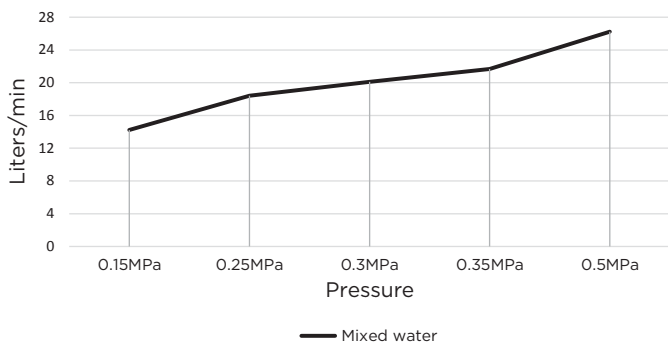
SPECIFICATIONS



TOLERANCES

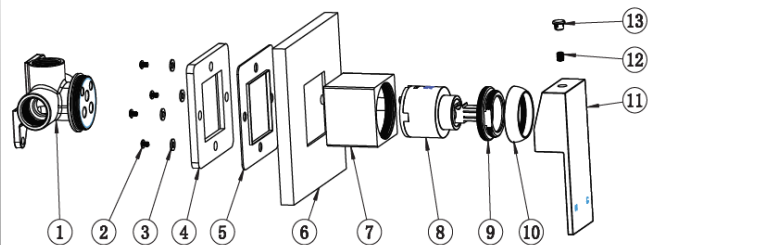


FLOW RATE GRAPH



CREDENTIALS

- WaterMark AS/NZS3718WMKA25013



- 1 Body
- 2 Screw
- 3 Gasket
- 4 Rubber ring
- 5 Rubber ring
- 6 Back plate
- 7 Copper sleeve
- 8 D35 cartridge
- 9 Nut
- 10 Decor cover
- 11 Handle
- 12 Screw
- 13 Decor knob