

# MS05 BATH SPOUT

# meir®

MATTE BLACK  
MS05

CHROME  
MS05-C

CHAMPAGNE  
MS05-CH

TIGER  
BRONZE  
MS05-BB

BRUSHED  
NICKEL  
MS05-PVDBN

AVAILABLE  
FINISHES



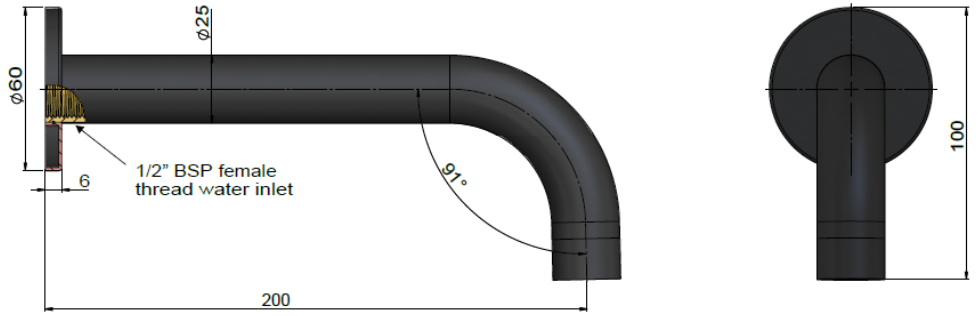
## FEATURES

- 10 Year warranty
- Flow rate 25L p/m
- European components and cartridge
- Solid brass construction
- Box Weight 0.37 kg
- 68mm long 1/2" threaded adapter included

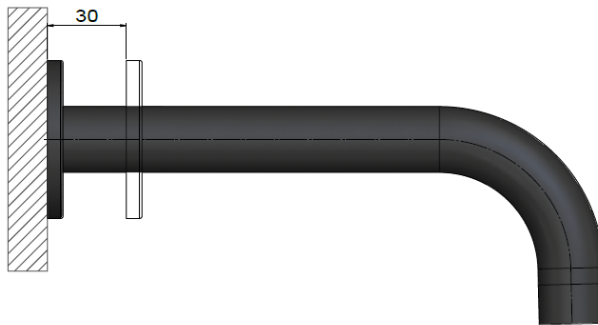
## CARE

- Do not install tapware using any form of acetone silicones.
- Do not apply physical items (such as tools) directly to product.
- Never use house-hold or commercial detergents, citrus based cleaners, or abrasive cleaners.
- Clean using a mild washing soap solution rinsed, and dry with a soft cloth.
- Check for any product defects before installation.
- Refer to the installation manual for correct installation.

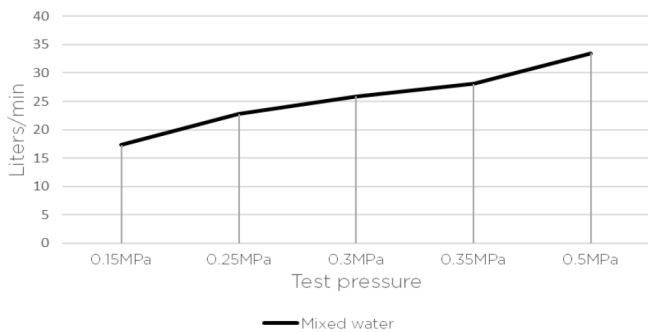
## SPECIFICATIONS



### TOLERANCE



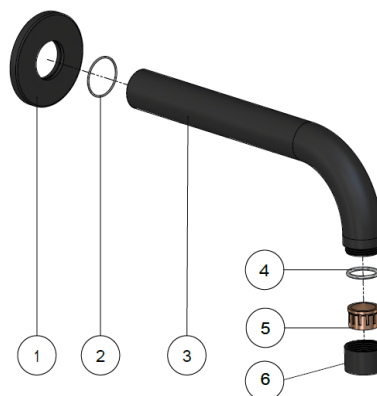
## FLOW RATE GRAPH



## CREDENTIALS

- Watermark AS/NZS3718WMKA25013

## EXPLODED VIEW



NO.	Part
1	Back plate
2	O-ring
3	Spout
4	O-ring
5	Aerator
6	Aerator Case

# MW08JL

## WALL TOP ASSEMBLY

# meir®

**MATTE BLACK**  
MW08JL

**CHROME**  
MW08JL-C

**CHAMPAGNE**  
MW08JL-CH

**TIGER BRONZE**  
MW08JL-BB

**BRUSHED NICKEL**  
MW08JL-PVDBN

**AVAILABLE FINISHES**



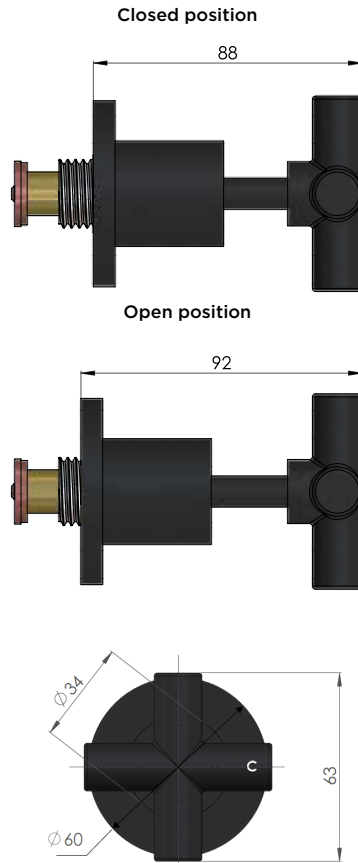
### FEATURES

- 10 Year warranty
- Jumper-valve spindle
- Solid brass construction
- Box Weight 1Kg

### CARE

- Do not install tapware using any form of acetone silicones.
- Do not apply physical items (such as tools) directly to product.
- Never use house-hold or commercial detergents, citrus based cleaners, or abrasive cleaners.
- Clean using a mild washing soap solution rinsed, and dry with a soft cloth.
- Check for any product defects before installation.
- Refer to the installation manual for correct installation.

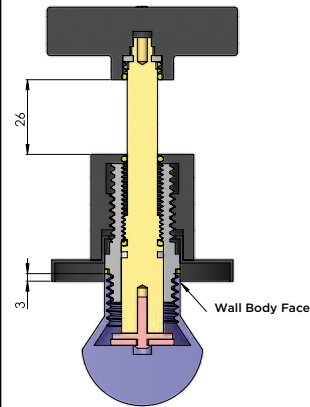
### SPECIFICATIONS



### TOLERANCES

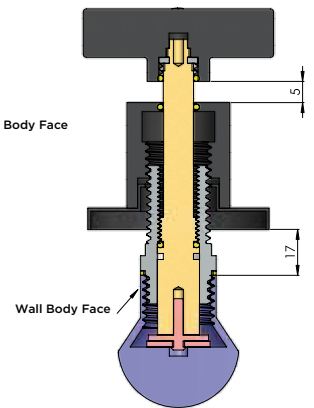
MIN

Tolerance below body face

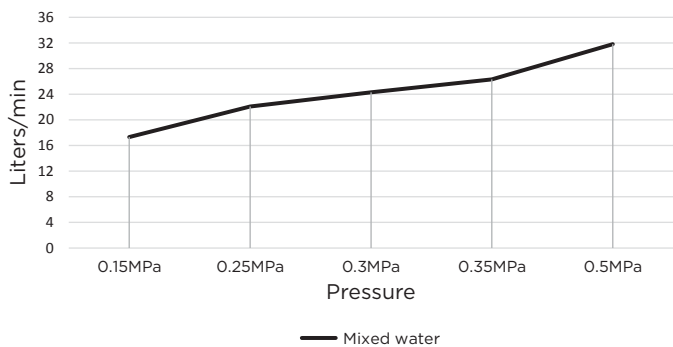


MAX

Tolerance above body face

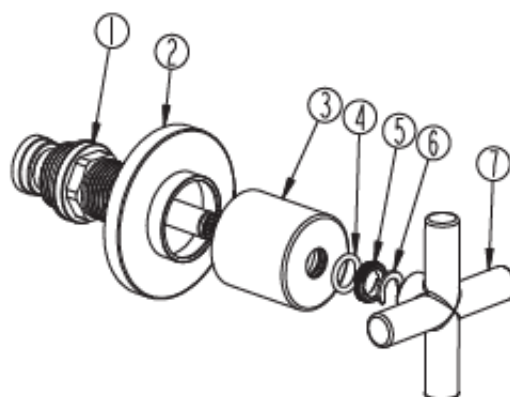


### FLOW RATE GRAPH



### CREDENTIALS

- Watermark AS/NZS 3718 WMKA25013



- 1 Jumper valve
- 2 Back plate
- 3 Base
- 4 O-ring
- 5 Nut
- 6 Washer
- 7 Handle

# MSABROO IN-WALL BREECH

# meir®

BRASS  
MSABROO

AVAILABLE  
FINISH



## FEATURES

- 10 Year warranty
- Solid brass construction
- Box Weight 0.78Kg
- To be used with wall tap assemblies.

## CARE

- Do not install tapware using any form of acetone silicones.
- Do not apply physical items (such as tools) directly to product.
- Never use house-hold or commercial detergents, citrus based cleaners, or abrasive cleaners.
- Clean using a mild washing soap solution rinsed, and dry with a soft cloth.
- Check for any product defects before installation.
- Refer to the installation manual for correct installation.

## CREDENTIALS

- No Credentials Required

## SPECIFICATIONS

