

MS05-130

BATH SPOUT

meir®

MATTE BLACK
MS05-130

CHROME
MS05-130-C

CHAMPAGNE
MS05-130-CH

TIGER
BRONZE
MS05-130-BB

BRUSHED
NICKEL
MS05-130-
-PVDBN

AVAILABLE
FINISHES



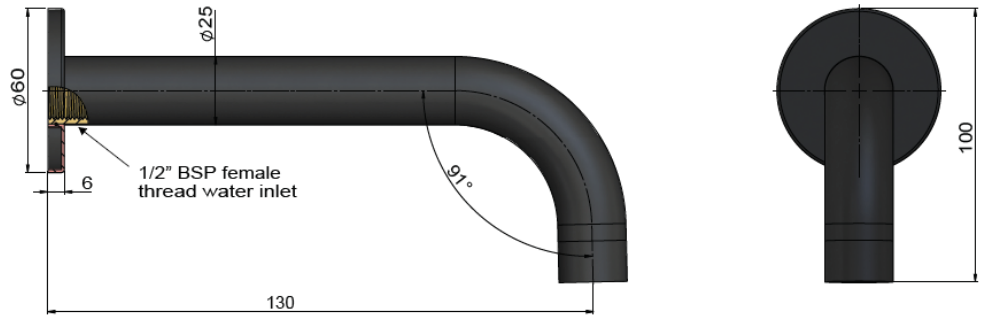
FEATURES

- 10 Year warranty
- Flow rate 25L p/m
- European components and cartridge
- Solid brass construction
- Box Weight 0.34 kg
- 68mm long 1/2" threaded adapter included

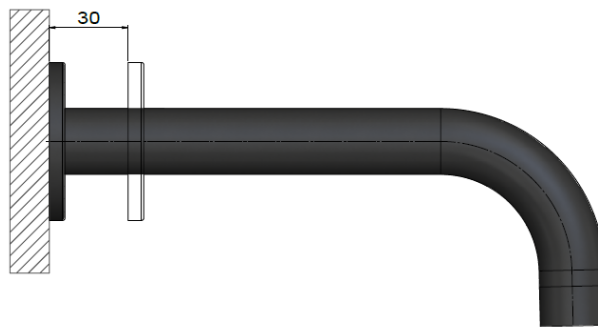
CARE

- Do not install tapware using any form of acetone silicones.
- Do not apply physical items (such as tools) directly to product.
- Never use house-hold or commercial detergents, citrus based cleaners, or abrasive cleaners.
- Clean using a mild washing soap solution rinsed, and dry with a soft cloth.
- Check for any product defects before installation.
- Refer to the installation manual for correct installation.

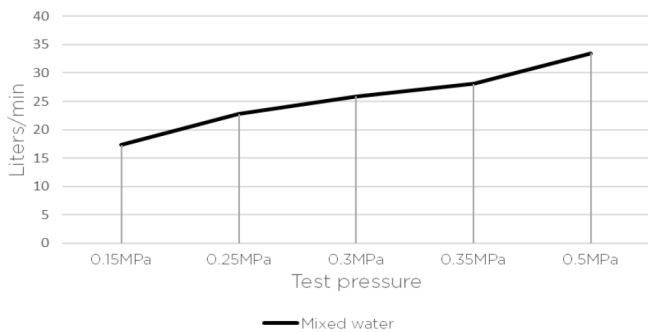
SPECIFICATIONS



TOLERANCE



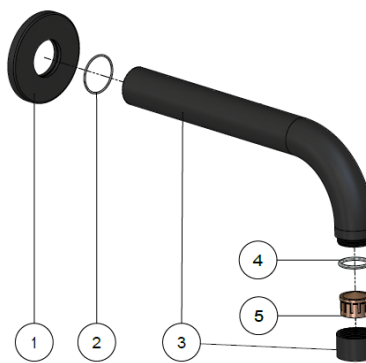
FLOW RATE GRAPH



CREDENTIALS

- Watermark AS/NZS3718WMKA25013

EXPLODED VIEW



NO.	Part
1	Back plate
2	O-ring
3	Spout
4	O-ring
5	Aerator

MW03S-FIN

WALL MIXER FINISH KIT

meir®

MATTE BLACK
MW03S-FIN

CHROME
MW03S-FIN-C

CHAMPAGNE
MW03S-FIN-CH

TIGER BRONZE
MW03S-FIN-BB

BRUSHED NICKEL
MW03S-FIN-PVDBN

AVAILABLE FINISHES



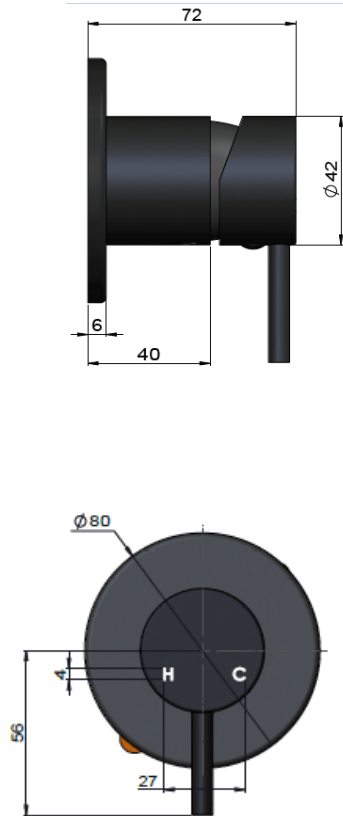
FEATURES

- 10 Year warranty
- Flow rate 18L p/m
- European components and cartridge
- Reinforced rubber seal and lining
- Solid brass construction
- Box Weight 1 Kg

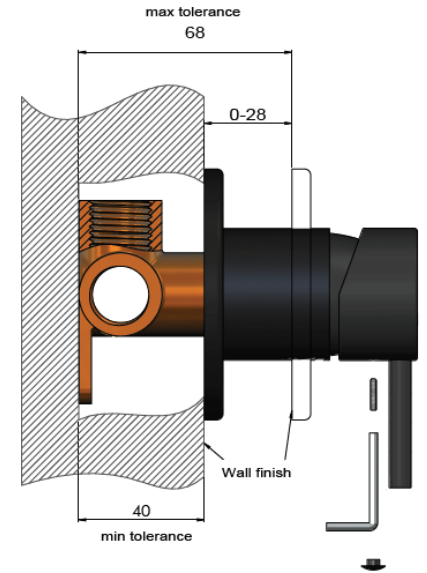
CARE

- Do not install tapware using any form of acetone silicones.
- Do not apply physical items (such as tools) directly to product.
- Never use house-hold or commercial detergents, citrus based cleaners, or abrasive cleaners.
- Clean using a mild washing soap solution rinsed, and dry with a soft cloth.
- Check for any product defects before installation.
- Refer to the installation manual for correct installation.

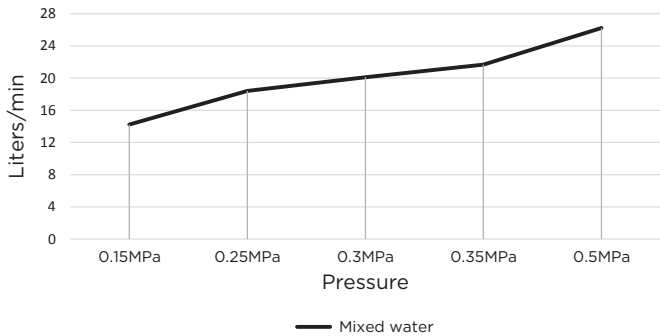
SPECIFICATIONS



TOLERANCES



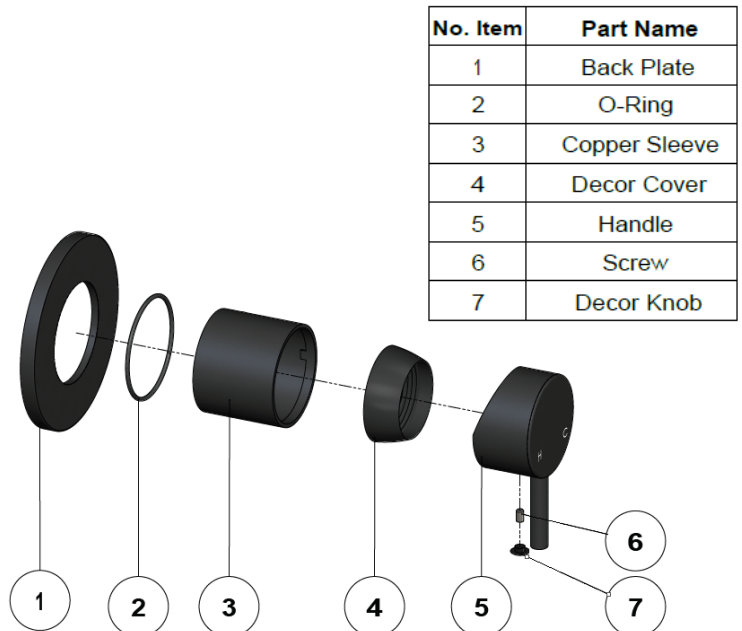
FLOW RATE GRAPH



CREDENTIALS

- Watermark AS/NZS 3718WMKA25013

EXPLODED VIEW



MW03-FIN

WALL MIXER FINISH KIT

meir®

MATTE BLACK
MW03-FIN

CHROME
MW03-FIN-C

CHAMPAGNE
MW03-FIN-CH

**TIGER
BRONZE**
MW03-FIN
-BB

**BRUSHED
NICKEL**
MW03-FIN
-PVDBN

**AVAILABLE
FINISHES**



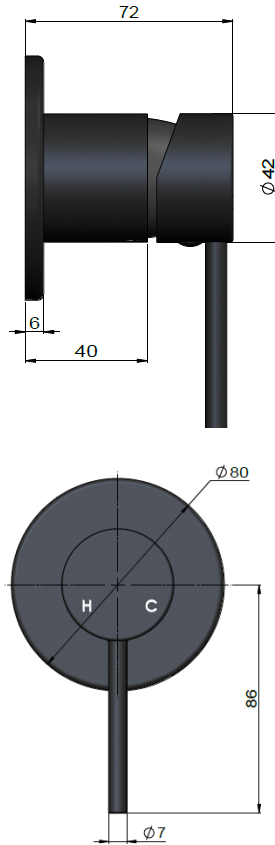
FEATURES

- 10 Year warranty
- Flow rate 18L p/m
- European components and cartridge
- Reinforced rubber seal and lining
- Solid brass construction
- Box Weight 1 Kg

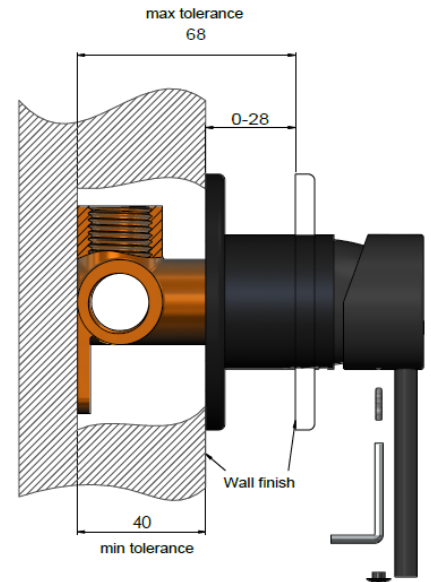
CARE

- Do not install tapware using any form of acetone silicones.
- Do not apply physical items (such as tools) directly to product.
- Never use house-hold or commercial detergents, citrus based cleaners, or abrasive cleaners.
- Clean using a mild washing soap solution rinsed, and dry with a soft cloth.
- Check for any product defects before installation.
- Refer to the installation manual for correct installation.

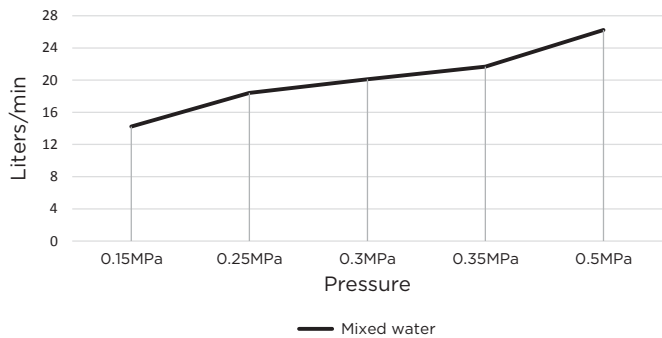
SPECIFICATIONS



TOLERANCES



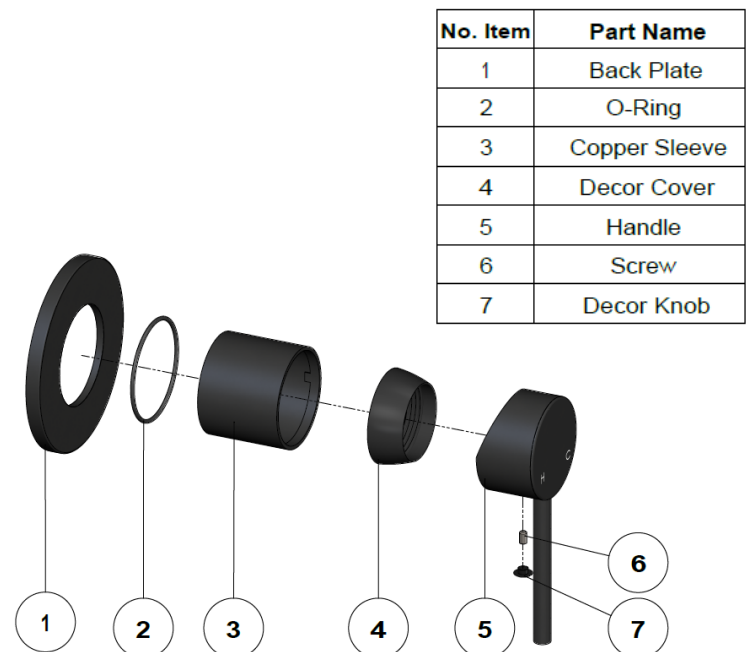
FLOW RATE GRAPH



CREDENTIALS

- Watermark AS/NZS 3718WMKA25013

EXPLODED VIEW



MW13BDY

WALL MIXER CONCEALED BODY

meir®

BRASS
MW13BDY

AVAILABLE
FINISHES



FEATURES

- 10 Year warranty
- Flow rate 18L p/m
- European components and cartridge
- Reinforced rubber seal and lining
- Solid brass construction

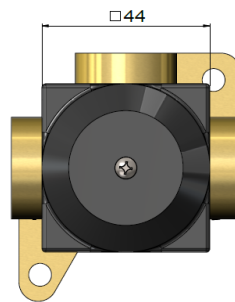
CARE

- Do not install tapware using any form of acetone silicones.
- Do not apply physical items (such as tools) directly to product.
- Never use house-hold or commercial detergents, citrus based cleaners, or abrasive cleaners.
- Clean using a mild washing soap solution rinsed, and dry with a soft cloth.
- Check for any product defects before installation.
- Refer to the installation manual for correct installation.

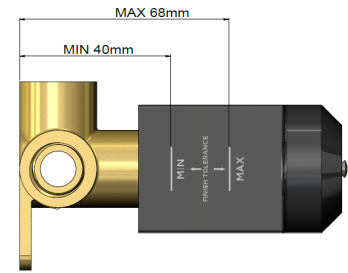
SPECIFICATIONS



G1/2" Thread

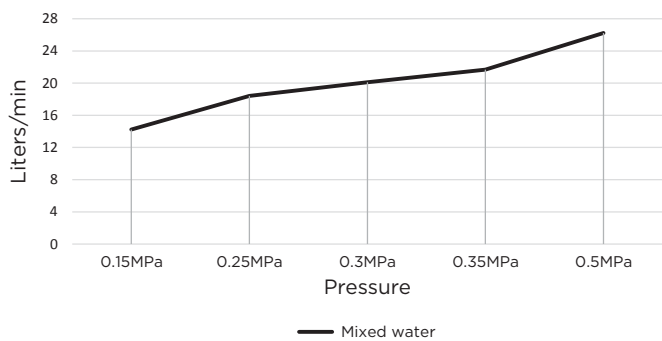


TOLERANCES



WALL FINISH TOLERANCE

FLOW RATE GRAPH



CREDENTIALS

- Watermark AS/NZS 3718WMKA25013

EXPLODED VIEW

