

MW03S WALL MIXER

meir®

MATTE BLACK
MW03S

CHROME
MW03S-C

CHAMPAGNE
MW03S-CH

TIGER
BRONZE
MW03S-BB

BRUSHED
NICKEL
MW03S-
-PVDBN

AVAILABLE
FINISHES



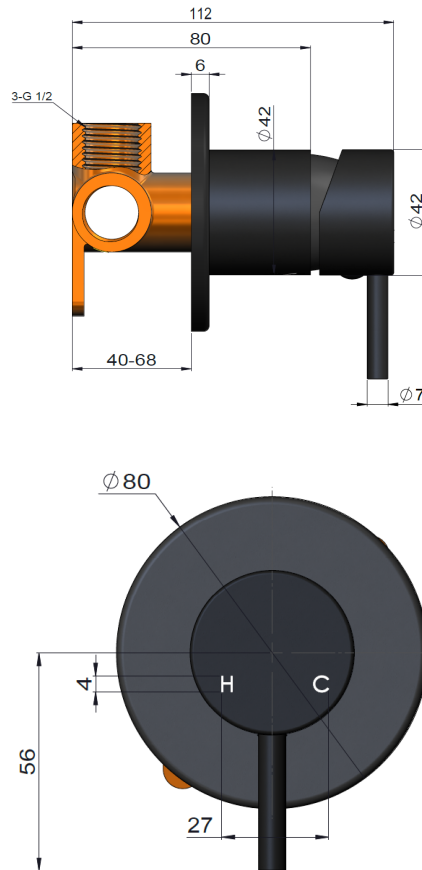
FEATURES

- 10 Year warranty
- Flow rate 18L p/m
- European components and cartridge
- Reinforced rubber seal and lining
- Solid brass construction
- Box Weight 0.9 Kg

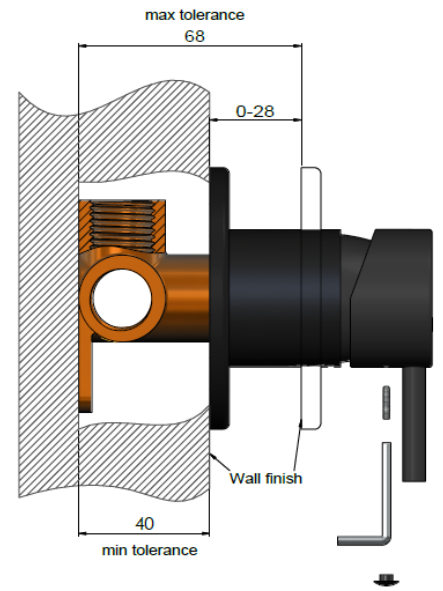
CARE

- Do not install tapware using any form of acetone silicones.
- Do not apply physical items (such as tools) directly to product.
- Never use house-hold or commercial detergents, citrus based cleaners, or abrasive cleaners.
- Clean using a mild washing soap solution rinsed, and dry with a soft cloth.
- Check for any product defects before installation.
- Refer to the installation manual for correct installation.

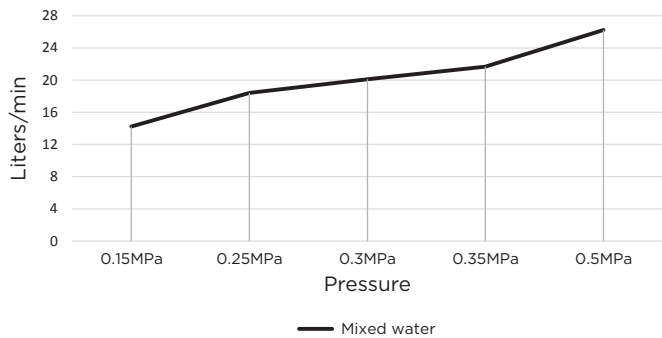
SPECIFICATIONS



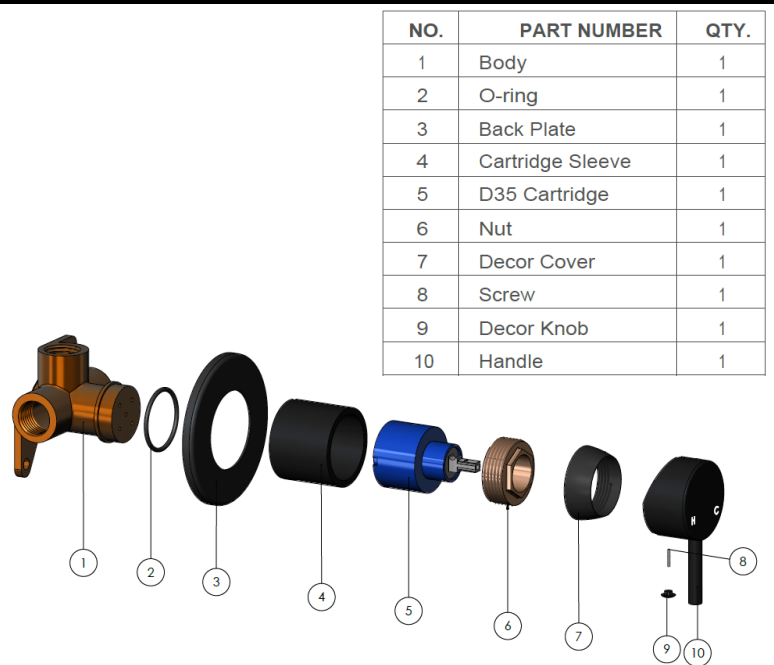
TOLERANCES



FLOW RATE GRAPH



EXPLODED VIEW



CREDENTIALS

- Watermark AS/NZS 3718WMKA25013