

# MW03 WALL MIXER

# meir®

MATTE BLACK  
MW03

CHROME  
MW03-C

CHAMPAGNE  
MW03-CH

TIGER  
BRONZE  
MW03-BB

BRUSHED  
NICKEL  
MW03-PVDBN

AVAILABLE  
FINISHES



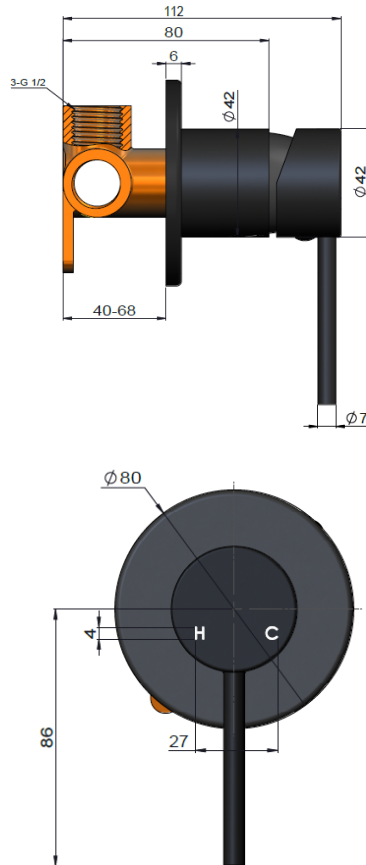
## FEATURES

- 10 Year warranty
- Flow rate 18L p/m
- European components and cartridge
- Reinforced rubber seal and lining
- Solid brass construction
- Box Weight 0.9 Kg

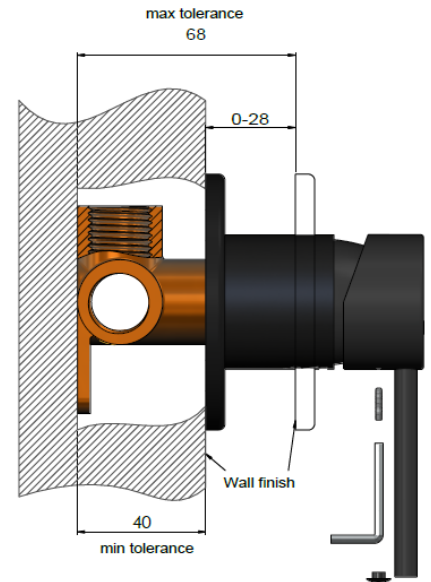
## CARE

- Do not install tapware using any form of acetone silicones.
- Do not apply physical items (such as tools) directly to product.
- Never use house-hold or commercial detergents, citrus based cleaners, or abrasive cleaners.
- Clean using a mild washing soap solution rinsed, and dry with a soft cloth.
- Check for any product defects before installation.
- Refer to the installation manual for correct installation.

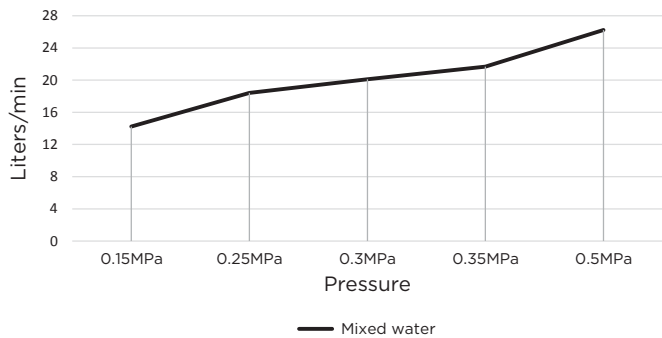
## SPECIFICATIONS



## TOLERANCES



## FLOW RATE GRAPH



## CREDENTIALS

- Watermark AS/NZS 3718WMKA25013

## EXPLODED VIEW

