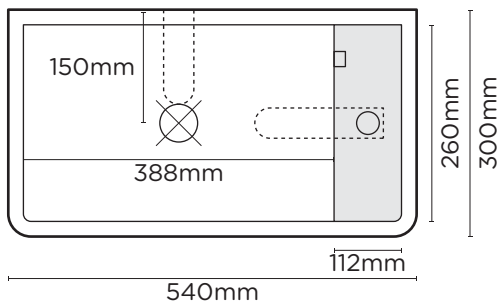




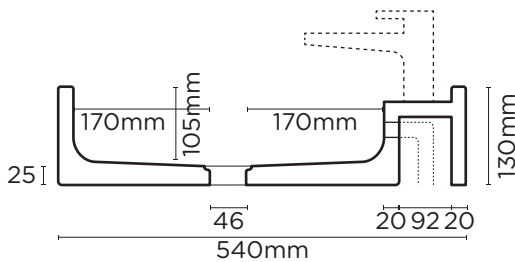
Shelf 02

For tight spaces, powder rooms, hotel and apartment blocks this medium sized Shelf basin has a space for soap or a tap hole, and a further option of overflow, wall mount or surface mount. Simple install after tiles, this basin ticks all the boxes.

PLAN VIEW



SECTION VIEW



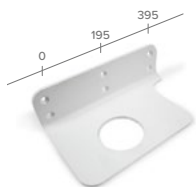
Note: Overflow pipe separate. For surface mount basin, a second hole in bench top is required.

SPECIFICATIONS

MATERIAL	UHP Concrete
FINISH	Matte / Low Sheen
WEIGHT	11.35kg (25lbs)
DIMENSIONS	L540mm x W300mm x H130mm (L21.2in x W11.8in x H5.1in)
BOWL CAPACITY	9L (2.35gal)
TAP HOLE	35mm (1.37in)
OVERFLOW AVAILABLE	White, black or chrome (housing option) Kit Chrome - 32mm
WASTE RQD	32mm Standard (1 1/4in) not provided
WARRANTY	24 months
WASTE HOLE SIZE	46mm (1.8in)
WALL THICKNESS	20mm
OPTIONS	Surface Mount / Wall Hung / Taphole / Overflow
WALL HANG RQD	Mount after tiling - basin back has a recess to cater for bracket
ORIENTATION	Shelf to the right only.

All dimensions are estimate. We suggest waiting until receiving Nood basins before cutting holes in cabinetry items. Colours of concrete may vary slightly.

WALL HUNG BRACKET



8mm aluminium powdercoated. Bracket, fixings, adhesive provided with each wall hung basin purchased.

AVAILABLE COLOURS



L242mm x W445mm x H92mm
(L9.5in x W17.5in x H3.6in)

THICKNESS

Wall Hang Bracket: 8mm (0.3in)
L Bracket: 3mm (0.1in)

WEIGHT

Wall Hang Bracket: 2.69kg (5.93lbs)
L Bracket: <250g (0.5lbs)

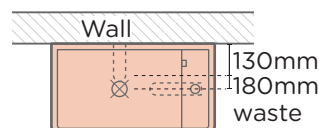
INSTALLATION

Timber Wall: tiny.cc/udkhlz
Masonry Wall: tiny.cc/Ogkhlz

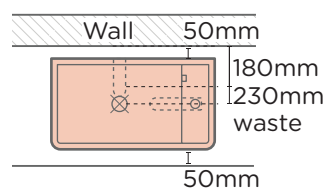
Basin to be mounted after tiling

SUGGESTED TAP / FAUCET POSITION & LENGTH

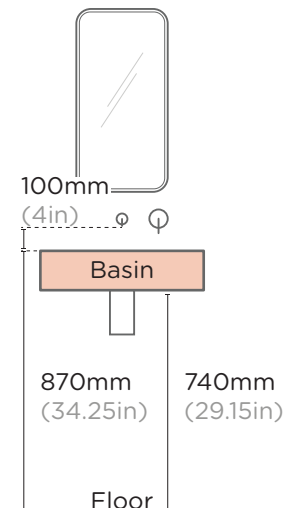
WALL HUNG BASIN



SURFACE MOUNTED BASIN



INSTALL HEIGHT



Shelf 02

VANITY LAYOUTS

